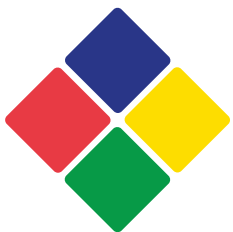


LED SIGNAGE SOLUTIONS



LUCOLED

Experience Lighting

February 2024

www.lumosigns.com

LUCOLED

BACK LIGHTING

EXTREME

| | |
|------------|----|
| XR20/24/28 | 04 |
|------------|----|

PREMIUM

| | |
|------|----|
| PV10 | 06 |
|------|----|

| | |
|-----------|----|
| PV20/PV24 | 08 |
|-----------|----|

| | |
|------|----|
| PV30 | 10 |
|------|----|

| | |
|------|----|
| PV44 | 12 |
|------|----|

VALUE

| | |
|------|----|
| VR10 | 14 |
|------|----|

| | |
|------|----|
| VR20 | 16 |
|------|----|

| | |
|------|----|
| VR30 | 18 |
|------|----|

| | |
|------|----|
| VR40 | 20 |
|------|----|

PLUS

| | |
|------|----|
| BL11 | 22 |
|------|----|

| | |
|------|----|
| BL15 | 24 |
|------|----|

| | |
|------|----|
| BL16 | 26 |
|------|----|

| | |
|------|----|
| BL17 | 28 |
|------|----|

| | |
|------|----|
| BL20 | 30 |
|------|----|

| | |
|------|----|
| BL31 | 32 |
|------|----|

| | |
|-----------|----|
| BL36 RGBW | 34 |
|-----------|----|

| | |
|------------|----|
| BL37 RGBDC | 36 |
|------------|----|

| | |
|------|----|
| BL71 | 38 |
|------|----|

| | |
|-----|----|
| BLI | 40 |
|-----|----|

| | |
|-----|----|
| BLE | 42 |
|-----|----|

| | |
|-----------|----|
| DS80/OS80 | 44 |
|-----------|----|

EDGE LIGHTING

| | |
|------|----|
| EL10 | 46 |
|------|----|

| | |
|------|----|
| EL31 | 48 |
|------|----|

| | |
|------|----|
| EL37 | 50 |
|------|----|

POWER SUPPLIES AND CONTROLS

| | |
|-----------------------------|----|
| POWER SUPPLIES AND CONTROLS | 52 |
|-----------------------------|----|

EPREL ENERGY EFFICIENCY LABELLING

| | |
|-------------------------------|----|
| EPREL Energy efficiency class | 59 |
|-------------------------------|----|



LUCOLED

Experience Lighting

LUCOLED: NOT JUST ANOTHER LED COMPANY

PAY FOR PERFORMANCE

At LucoLED we operate at the simple principle that the customer should only pay for product performance and not for the overhead and excessive margins most major brands add to their cost.

It is LucoLED's mission to provide fit for purpose, reliable and efficient lighting solutions for visual communication and brand identity.

EXPERIENCE

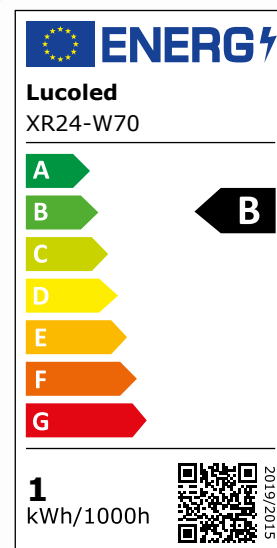
LucoLED is based on over 20 years of experience in the signage industry and has developed an in depth knowledge of the basic needs of the market. Backed by industry leading design and production facilities LucoLED provides high quality products with exceptional performance and warranties.

LucoLED's ODM production uses state of the art equipment and has extensive R&D facilities. Besides a range of standard products LucoLED can also offer tailor made solutions with minimum lead time.

COMPLETE SOLUTION

LucoLED offers a complete system solution for letters, light boxes, flexible and linear accents. Including their own full range power supplies. LucoLED offers a system warranty of up to 7 years and extended warranties of up to 2 years as we believe in our products.

Although LucoLED is a new name in the market, the management behind the company has a proven track record of quality and reliability.



LUCOLED XR SERIES

- *Most energy efficient LED module on the market: up to 197 lumen per Watt*
- *Advanced Helios Ultra Flat Beam lens technology*
- *Constant Current Technology*
- *Narrow white binning*
- *24 Volt for longer module chains*
- *Sign Life Warranty, 4 years extended labour coverage included.*

Lucoled Extreme XR modules offer a high quality and the most efficient backlit solution for lightboxes and channel letters between 40 mm and 300 mm deep.

Using the most efficient LED technology available and Helios flat beam optics Lucoled Extreme series offers industry leading efficacy and coverage. This not only reduces the amount of modules needed for an application, but also the overall power consumption, reducing the total cost of ownership of a project.

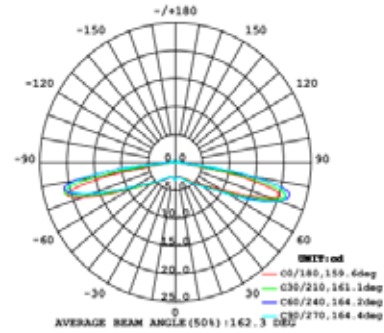
Lucoled Extreme series offers a 4 years extended warranty as part on the Sign Life Warranty, making it the optimum choice for your high valued projects and critical installations. Your warranty exposure is reduced to a minimum.

SPECIFICATIONS

- Dimensions 58x17x8.3 mm
- Sign Life Warranty (first 2 years extended)
- Beam angle: 175°
- Can be cut between every unit
- UL, CE and RoHS compliant
- Narrow white binning, SDMC 3
- 24 V DC Constant Current Technology
- Operating temperature -40°~+60°C

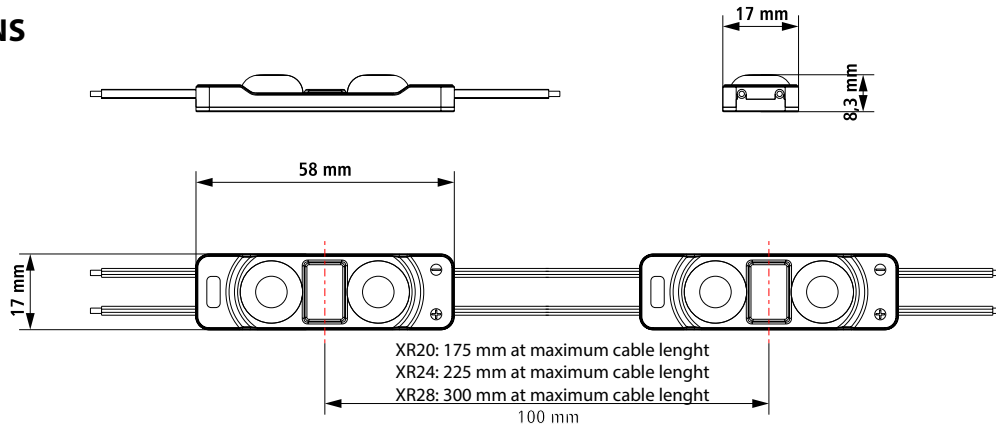


LUMINOUS INTENSITY DISTRIBUTION

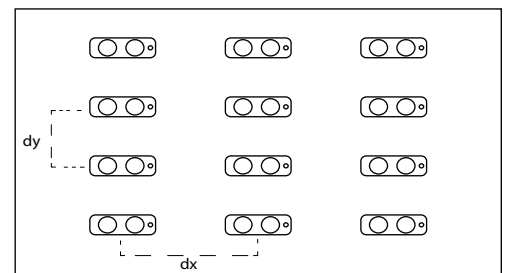


| Item no | LED colour | CT (K)/nm | CRI | Power (W/mod) | Flux (lm/mod) | Efficacy (lm/W) | Voltage (DC) | Modules per chain | Energy Class |
|----------|------------|-----------|-----|---------------|---------------|-----------------|--------------|-------------------|--------------|
| XR20-W70 | white | 7000 | >74 | 0.35 | 65 | 186 | 24 | 100 | B |
| XR24-W30 | white | 3000 | >74 | 0.72 | 133 | 184 | 24 | 60 | B |
| XR24-W40 | white | 4000 | >74 | 0.73 | 144 | 197 | 24 | 60 | B |
| XR24-W50 | white | 5000 | >74 | 0.71 | 137 | 193 | 24 | 60 | B |
| XR24-W70 | white | 7000 | >74 | 0.67 | 126 | 188 | 24 | 60 | B |
| XR28-W70 | white | 7000 | >74 | 1.02 | 187 | 183 | 24 | 45 | C |
| XR28-W40 | white | 4000 | >74 | 1.00 | 192 | 193 | 24 | 45 | B |

DIMENSIONS



| Light box depth (mm) | Module | Space between modules (mm) | Installing density (pcs/m ²) | Wattage per m ² (W) |
|----------------------|--------|----------------------------|--|--------------------------------|
| dz=40 | XR20 | dx=95, dy=95 | 100 | 35.0 |
| dz=60 | XR20 | dx=110, dy=110 | 80 | 28.0 |
| dz=60 | XR24 | dx=125, dy=125 | 64 | 42.9 |
| dz=80 | XR24 | dx=160, dy=160 | 36 | 24.1 |
| dz=100 | XR24 | dx=225, dy=165 | 27 | 18.1 |
| dz=100 | XR28 | dx=200, dy=200 | 25 | 25.5 |
| dz=120 | XR28 | dx=220, dy=220 | 20 | 20.4 |
| dz=140 | XR28 | dx=250, dy=250 | 16 | 16.3 |
| dz=180 | XR28 | dx=300, dy=240 | 14 | 14.3 |



Results may vary depending on face material properties. The data above was obtained using 3mm thick opaque acrylic with a 54% light transmittance. Luceo advises to paint the inside of the box/letters in a matt white colour for achieving an optimal result. Always test before production.

POWER SUPPLY CAPACITY 24V SERIES

| Power Output | 30W | 60W | 100W | 150W | 200W |
|--|-----|-----|------|------|------|
| XR20 modules / power supply (Maximum 100 XR20 modules per chain) | 77 | 154 | 257 | 385 | 514 |
| XR24 modules / power supply (Maximum 60 XR24 modules per chain) | 40 | 76 | 134 | 201 | 268 |
| XR28 modules / power supply (Maximum 45 XR28 modules per chain) | 26 | 52 | 88 | 132 | 176 |

PACKAGING

| Item | Qty (pcs/bag) | Qty (bag / carton) | Total Qty (pcs / carton) | Total weight (kg) | Carton size (LxWxH) in mm |
|------|---------------|--------------------|--------------------------|-------------------|---------------------------|
| XR20 | 100 | 12 | 1200 | 16.0 | 528 x 376 x 272 |
| XR24 | 60 | 20 | 1200 | 16.0 | 528 x 376 x 272 |
| XR28 | 45 | 24 | 1080 | 17.8 | 528 x 376 x 272 |



LUCOLED PV10



- *5 years warranty*
- *First 2 years extended warranty*
- *Lucolense prismatic angle technology*
- *Highest efficacy*
- *Constant Current Technology*
- *Narrow white binning*

Lucoled Premium Value PV10 modules offer a high quality and efficient backlit solution for lightboxes and channel letters between 40 and 100mm deep.

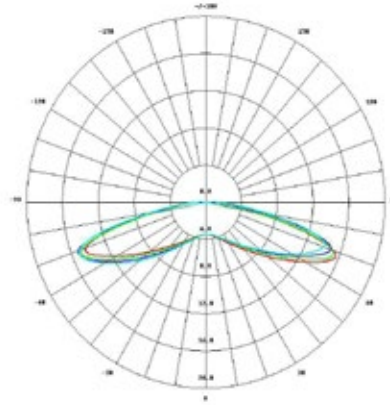
Using the latest high efficient LED technology and high quality optics Lucoled Premium Value series offers industry leading efficacy and coverage. This not only reduces the amount of modules needed for an application, but also the overall power consumption, reducing the total cost of ownership of a project.

Lucoled Premium Value series offers a 2 years extended warranty, making it the optimum choice for your high valued projects and critical installations. Your warranty exposure is reduced to a minimum.

SPECIFICATIONS

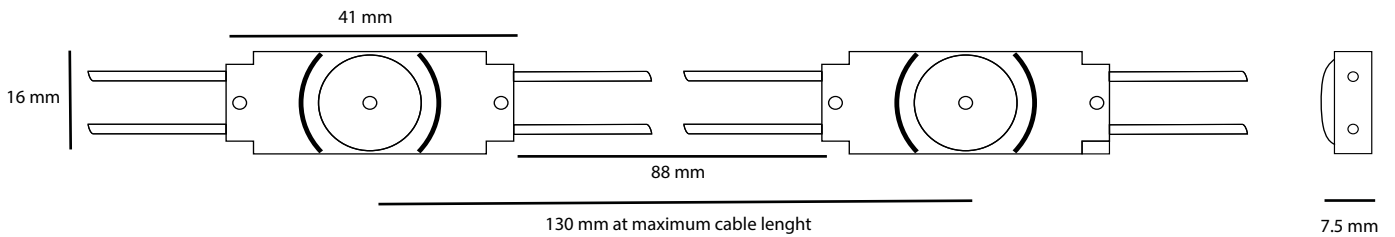
- Dimensions 41x16x7.5mm
- Warranty 5 years (first 2 years extended)
- Beam angle: 170°
- Can be cut between every unit
- EL, CE and RoHS compliant
- Narrow white binning
- Constant Current Technology
- Operating temperature -25~+60°C

LUMINOUS INTENSITY DISTRIBUTION



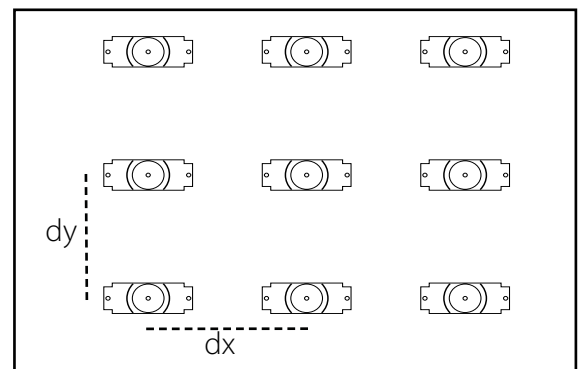
| Item no | LED colour | CT (K)/nm | CRI | Power (W/mod) | Flux (lm/mod) | Efficacy (lm/W) | Voltage (DC) | Modules per chain | Modules per carton |
|----------|------------|-----------|-----|---------------|---------------|-----------------|--------------|-------------------|--------------------|
| PV10-W30 | white | 3000 | >75 | 0.30 | 45 | 152 | 12 | 50 | 1800 |
| PV10-W40 | white | 4000 | >75 | 0.30 | 49 | 161 | 12 | 50 | 1800 |
| PV10-W50 | white | 5000 | >75 | 0.30 | 49 | 160 | 12 | 50 | 1800 |
| PV10-W65 | white | 6500 | >75 | 0.29 | 48 | 165 | 12 | 50 | 1800 |
| PV10-W71 | weiß | 7100 | >75 | 0.29 | 46 | 158 | 12 | 50 | 1800 |
| PV10-R | red | 600-625nm | | 0.30 | 9 | 30 | 12 | 50 | 1800 |

DIMENSIONS



| Light box depth (mm) | Space between modules (mm) | Installing density (pcs/m ²) | Surface luminance range (cd/m ²) |
|----------------------|----------------------------|--|--|
| dz=60 | dx=90, dy=90 | 100 | 1580-1740 |
| dz=80 | dx=120, dy=120 | 64 | 895-1160 |
| dz=100 | dx=130, dy=130 | 49 | 740-840 |
| dz=120 | dx=130, dy=140 | 49 | 580-680 |

Results may vary depending on face material properties. The data above was obtained using 3mm thick opaque acrylic with a 54% light transmittance. Lucoled advises to paint the inside of the box/ letters in a matt white colour for achieving an optimal result. Always test before production.



POWER SUPPLY CAPACITY 12V SERIES

| Item | PP1230 | PP1260 | PP12100 | PP12150 | PP12200 |
|-------------------------------------|--------|--------|---------|---------|---------|
| Power Output | 30W | 60W | 100W | 150W | 200W |
| PV10 modules / power supply | 93 | 186 | 310 | 465 | 620 |
| Maximum 50 modules per chain | | | | | |

PACKAGING

| Item | Qty (pcs/bag) | Qty (bag / carton) | Total Qty (pcs / carton) | Total weight (kg) | Carton size (LxWxH) in mm |
|------|---------------|--------------------|--------------------------|-------------------|---------------------------|
| PV10 | 50 | 36 | 1800 | 16,6 | 528 x 376 x 272 |

Cartier

LUCOLED PV20/PV24



- *5 years warranty*
First 2 years extended warranty
- *Lucolense prismatic angle technology*
- *Highest efficacy*
- *Constant Current Technology*
- *Narrow white binning*

Lucoled Premium Value PV20 and PV24 modules offer a high quality and efficient backlit solution for lightboxes and channel letters between 60 and 100mm deep.

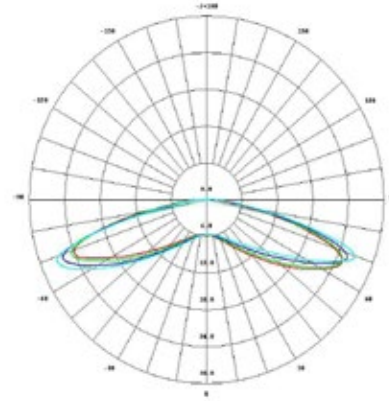
Using the latest high efficient LED technology and high quality optics Lucoled Premium Value series offers industry leading efficacy and coverage. This not only reduces the amount of modules needed for an application, but also the overall power consumption, reducing the total cost of ownership of a project.

Lucoled Premium Value series offers a 2 years extended warranty, making it the optimum choice for your high valued projects and critical installations. Your warranty exposure is reduced to a minimum.

SPECIFICATIONS

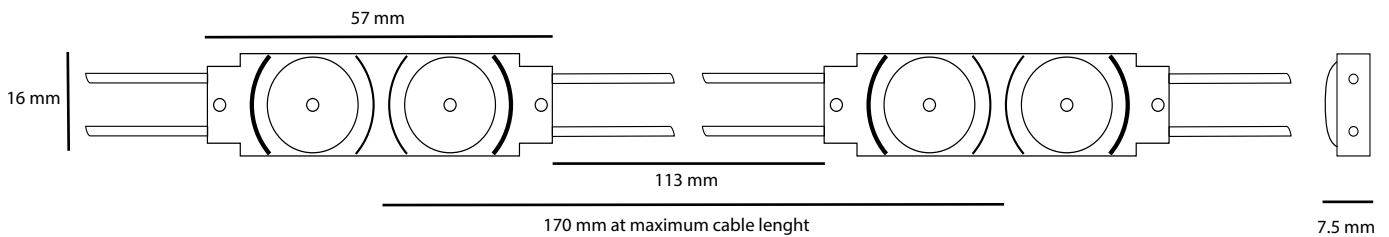
- Dimensions 57x16x7.5mm
- Warranty 5 years (first 2 years extended)
- Beam angle: 170°
- Can be cut between every unit
- EL, CE and RoHS compliant
- Narrow white binning
- Constant Current Technology
- Operating temperature -25~+60°C

LUMINOUS INTENSITY DISTRIBUTION



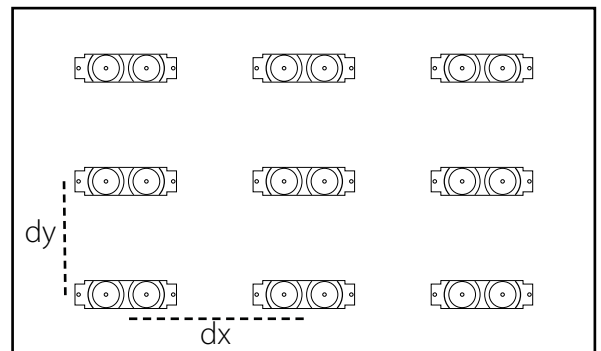
| Item no | LED colour | CT (K) | CRI | Power (W/mod) | Flux (lm/mod) | Efficacy (lm/W) | Voltage (DC) | Modules per chain | Modules per carton |
|----------|------------|-----------|-----|---------------|---------------|-----------------|--------------|-------------------|--------------------|
| PV20-W30 | white | 3000 | >75 | 0.71 | 99 | 139 | 12 | 40 | 1200 |
| PV20-W40 | white | 4000 | >75 | 0.72 | 114 | 158 | 12 | 40 | 1200 |
| PV20-W50 | white | 5000 | >75 | 0.72 | 113 | 157 | 12 | 40 | 1200 |
| PV20-W65 | white | 6500 | >75 | 0.70 | 113 | 161 | 12 | 40 | 1200 |
| PV20-W71 | white | 7100 | >75 | 0.74 | 110 | 148 | 12 | 40 | 1200 |
| PV20-R | red | 600-625nm | | 0.72 | 22 | 31 | 12 | 40 | 1200 |
| PV24-W65 | white | 6500 | >75 | 0.71 | 110 | 155 | 24 | 40 | 1200 |

DIMENSIONS



| Light box depth (mm) | Space between modules (mm) | Installing density (pcs/m ²) | Surface luminance range (cd/m ²) |
|----------------------|----------------------------|--|--|
| dz=60 | dx=130, dy=100 | 72 | 2130-2450 |
| dz=80 | dx=150, dy=150 | 43 | 1200-1560 |
| dz=100 | dx=170, dy=160 | 36 | 990-1140 |
| dz=120 | dx=170, dy=170 | 25 | 880-990 |

Results may vary depending on face material properties. The data above was obtained using 3mm thick opaque acrylic with a 54% light transmittance. Lucoled advises to paint the inside of the box/ letters in a matt white colour for achieving an optimal result. Always test before production.



POWER SUPPLY CAPACITY 12V SERIES

| Item | PP1230 | PP1260 | PP12100 | PP12150 | PP12200 |
|-------------------------------------|--------|--------|---------|---------|---------|
| Power Output | 30W | 60W | 100W | 150W | 200W |
| PV20 modules / power supply | 38 | 75 | 125 | 188 | 250 |
| Maximum 40 modules per chain | | | | | |

POWER SUPPLY CAPACITY 24V SERIES

| Item | PP2430 | PP2460 | PP24100 | PP24150 | PP24200 |
|-------------------------------------|--------|--------|---------|---------|---------|
| Power Output | 30W | 60W | 100W | 150W | 200W |
| PV24 modules / power supply | 38 | 75 | 125 | 188 | 250 |
| Maximum 80 modules per chain | | | | | |

PACKAGING

| Item | Qty (pcs/bag) | Qty (bag / carton) | Total Qty (pcs / carton) | Total weight (kg) | Carton size (LxWxH) in mm |
|-----------|---------------|--------------------|--------------------------|-------------------|---------------------------|
| PV20/PV24 | 40 | 30 | 1200 | 15.2 | 528 x 376 x 272 |



adidas

LUCOLED PV30



- *5 years warranty*
First 2 years extended warranty
- *Lucolense prismatic angle technology*
- *Highest efficacy*
- *Constant Current Technology*
- *Narrow white binning*

Lucoled Premium Value PV30 modules offer a high quality and efficient backlit solution for lightboxes and channel letters between 80 and 120mm deep.

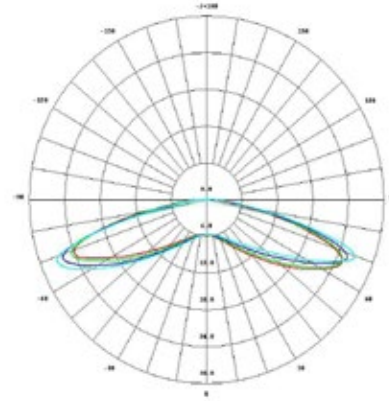
Using the latest high efficient LED technology and high quality optics Lucoled Premium Value series offers industry leading efficacy and coverage. This not only reduces the amount of modules needed for an application, but also the overall power consumption, reducing the total cost of ownership of a project.

Lucoled Premium Value series offers a 2 years extended warranty, making it the optimum choice for your high valued projects and critical installations. Your warranty exposure is reduced to a minimum.

SPECIFICATIONS

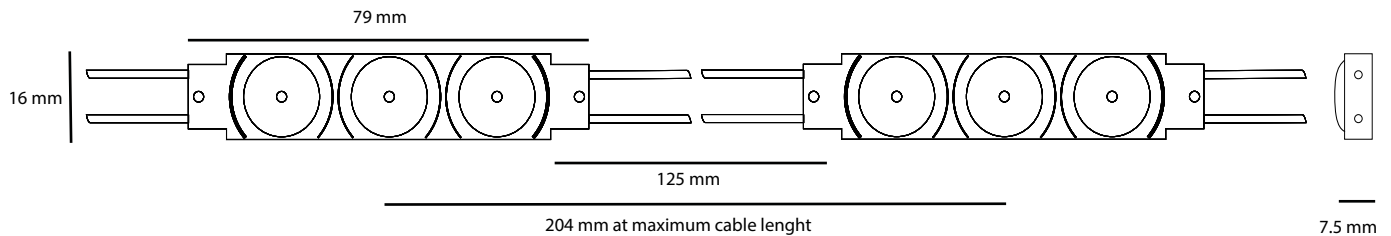
- Dimensions 79x16x7.5mm
- Warranty 5 years (first 2 years extended)
- Beam angle: 170°
- Can be cut between every unit
- EL, CE and RoHS compliant
- Narrow white binning
- Constant Current Technology
- Operating temperature -25~+60°C

LUMINOUS INTENSITY DISTRIBUTION

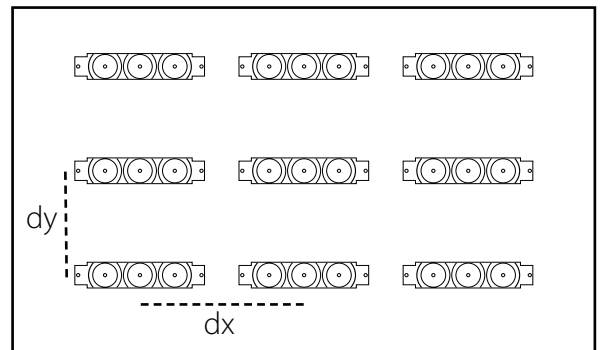


| Item no | LED colour | CT (K) | CRI | Power (W/mod) | Flux (lm/mod) | Efficacy (lm/W) | Voltage (DC) | Modules per chain | Modules per carton |
|----------|------------|--------|-----|---------------|---------------|-----------------|--------------|-------------------|--------------------|
| PV30-W65 | white | 6500 | >75 | 1.0 | 160 | 160 | 12 | 30 | 900 |

DIMENSIONS



| Light box depth (mm) | Space between modules (mm) | Installing density (pcs/m ²) | Surface luminance range (cd/m ²) |
|----------------------|----------------------------|--|--|
| dz=80 | dx=160, dy=140 | 42 | 1920-2340 |
| dz=100 | dx=190, dy=160 | 28 | 1450-1560 |
| dz=120 | dx=200, dy=170 | 23 | 1140-1350 |



Results may vary depending on face material properties. The data above was obtained using 3mm thick opaque acrylic with a 54% light transmittance. Lucoled advises to paint the inside of the box/ letters in a matt white colour for achieving an optimal result. Always test before production.

POWER SUPPLY CAPACITY 12V SERIES

| Item | PP1230 | PP1260 | PP12100 | PP12150 | PP12200 |
|---|--------|--------|---------|---------|---------|
| Power Output | 30W | 60W | 100W | 150W | 200W |
| PV30 modules / power supply | 27 | 54 | 90 | 135 | 180 |
| Number of chains (maximum 30 modules per chain) | 1 | 1 | 2 | 3 | 6 |

PACKAGING

| Item | Qty (pcs/bag) | Qty (bag / carton) | Total Qty (pcs / carton) | Total weight (kg) | Carton size (LxWxH) in mm |
|------|---------------|--------------------|--------------------------|-------------------|---------------------------|
| PV30 | 30 | 30 | 900 | 13.6 | 528 x 376 x 272 |

HOLLAND CASINO

LUCOLED PV44



- *5 years warranty*
First 2 years extended warranty
- *Lucolense prismatic angle technology*
- *Highest efficacy*
- *Constant Current Technology*
- *Narrow white binning*

Lucoled Premium Value PV44 modules offer a high quality and efficient backlit solution for lightboxes and channel letters between 80 and 140mm deep.

Using the latest high efficient LED technology and high quality optics Lucoled Premium Value series offers industry leading efficacy and coverage. This not only reduces the amount of modules needed for an application, but also the overall power consumption, reducing the total cost of ownership of a project.

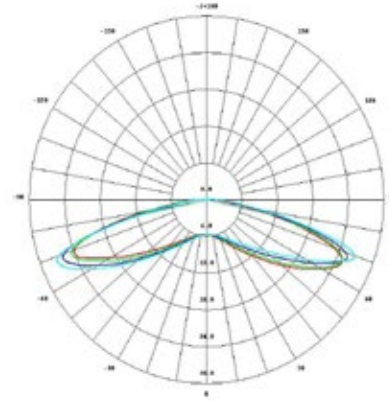
Lucoled Premium Value series offers a 2 years extended warranty, making it the optimum choice for your high valued projects and critical installations. Your warranty exposure is reduced to a minimum.

SPECIFICATIONS

- Dimensions 49x39x7.5mm
- Warranty 5 years (first 2 years extended)
- Beam angle: 170°
- Can be cut between every unit
- EL, CE and RoHS compliant
- Narrow white binning
- Constant Current Technology
- Operating temperature -25~+60°C

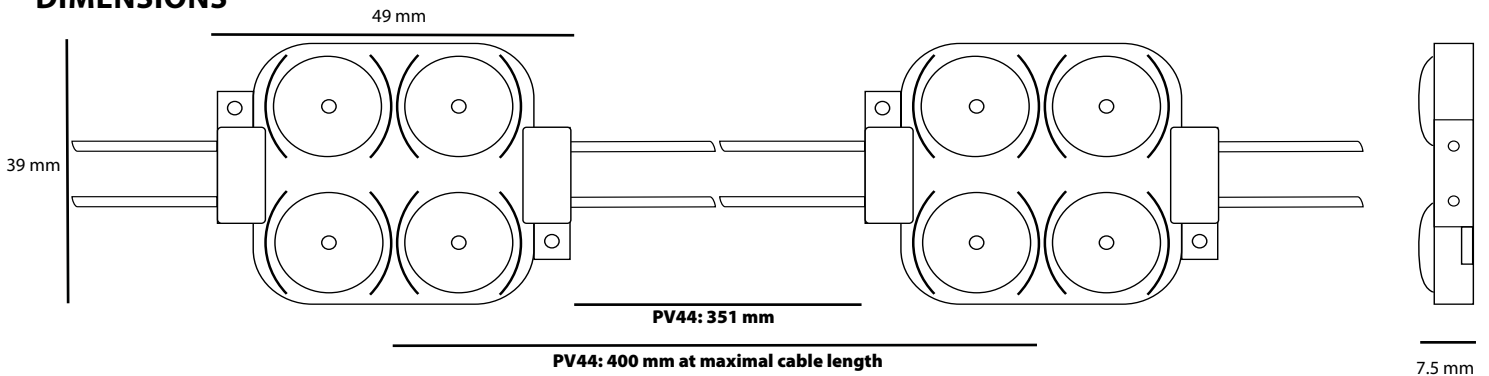


LUMINOUS INTENSITY DISTRIBUTION



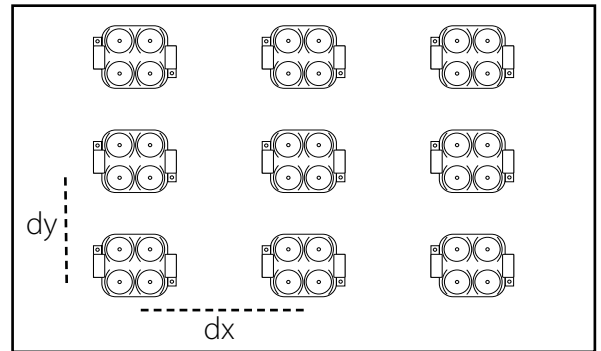
| Item no | LED colour | CT (K) | CRI | Power (W/mod) | Flux (lm/mod) | Efficacy (lm/W) | Voltage (DC) | Modules per chain | Modules per carton |
|----------|------------|--------|-----|---------------|---------------|-----------------|--------------|-------------------|--------------------|
| PV44-W65 | white | 6500 | >75 | 1.46 | 224 | 154 | 24 | 55 | 550 |
| PV44-W50 | white | 5000 | >75 | 1.46 | 224 | 154 | 24 | 55 | 550 |

DIMENSIONS



| Light box depth (mm) | Space between modules (mm) | Installing density (pcs/m ²) | Surface luminance range (cd/m ²) |
|----------------------|----------------------------|--|--|
| dz=120 | dx=325, dy=325 | 16 | 1100-1350 |
| dz=150 | dx=350, dy=350 | 9 | 650-800 |
| dz=200 | dx=400, dy=400 | 4 | 300-450 |

Results may vary depending on face material properties. The data above was obtained using 3mm thick opaque acrylic with a 54% light transmittance. Lucoled advises to paint the inside of the box/ letters in a matt white colour for achieving an optimal result. Always test before production.



POWER SUPPLY CAPACITY 24V SERIES

| Item | PP2430 | PP2460 | PP24100 | PP24150 | PP24200 |
|-------------------------------------|--------|--------|---------|---------|---------|
| Power Output | 30W | 60W | 100W | 150W | 200W |
| PV44 modules / power supply | 18 | 38 | 63 | 94 | 125 |
| Maximum 55 modules per chain | | | | | |

PACKAGING

| Item | Qty (pcs/bag) | Qty (bag / carton) | Total Qty (pcs / carton) | Total weight (kg) | Carton size (LxWxH) in mm |
|------|---------------|--------------------|--------------------------|-------------------|---------------------------|
| PV44 | 30/55 | 26/10 | 550 | 12,0 | 528 x 376 x 272 |

JACK & JONES®

FOOTWEAR

LUCOLED VR10



- *5 years warranty*
- *Lucolense wide angle technology*
- *Medium efficacy*
- *Constant Current Technology*
- *Narrow white binning*

Lucoled Value Range VR10 modules offer a high quality and efficient backlit solution for lightboxes and channel letters between 80 and 120mm deep.

Lucoled VR series use medium efficiency LED's, optics and high quality components, resulting in a reliable, efficient, fit-for-purpose, solution for your every-day sign projects.

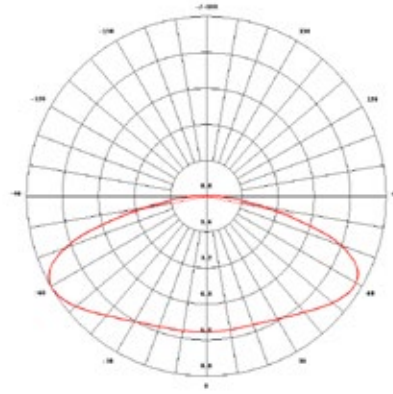
Lucoled VR series offer an excellent price-performance ratio and a 5 year warranty.

SPECIFICATIONS

- Dimensions 35x16x7.8mm
- Warranty 5 years
- Beam angle: 160°
- Can be cut between every unit
- EL, CE and RoHS compliant
- Narrow white binning
- Constant Current Technology
- Operating temperature -25~+60°C

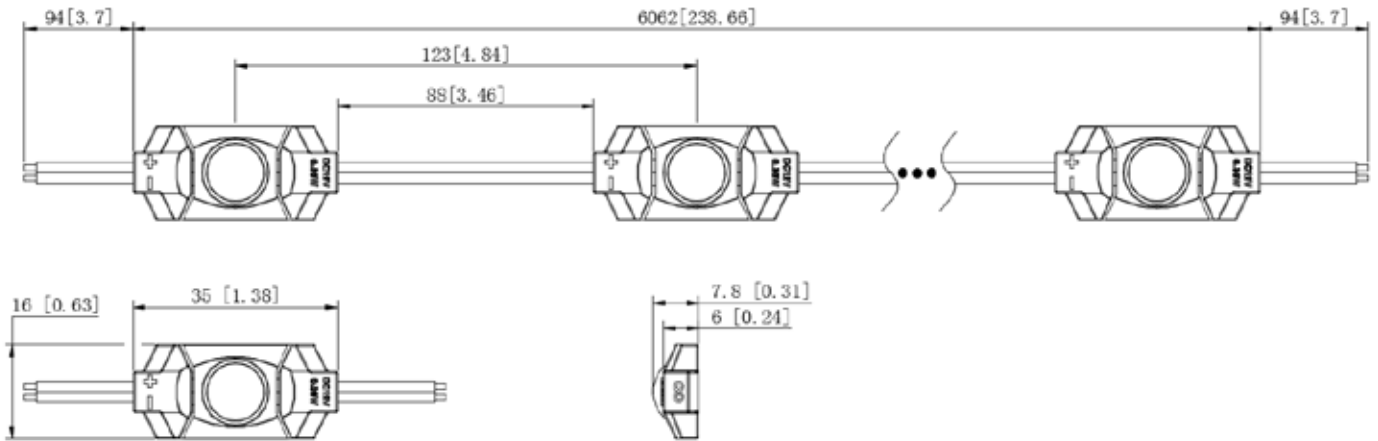


LUMINOUS INTENSITY DISTRIBUTION



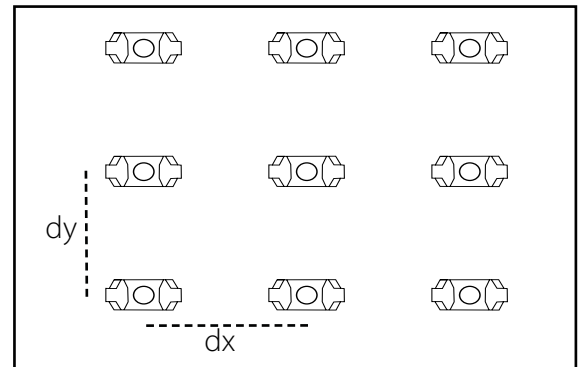
| Item no | LED colour | CT (K) | CRI | Power (W/mod) | Flux (lm/mod) | Efficacy (lm/W) | Voltage (DC) | Modules per chain | Modules per carton |
|----------|------------|--------|-----|---------------|---------------|-----------------|--------------|-------------------|--------------------|
| VR10-W65 | white | 6500 | >75 | 0.36 | 44 | 122 | 12 | 50 | 2000 |

DIMENSIONS



| Light box depth (mm) | Space between modules (mm) | Installing density (pcs/m ²) | Surface luminance range (cd/m ²) |
|----------------------|----------------------------|--|--|
| dz=80 | dx=85, dy=85 | 121 | 1140-1350 |
| dz=100 | dx=95, dy=120 | 80 | 830-880 |
| dz=120 | dx=105, dy=140 | 63 | 670-720 |

Results may vary depending on face material properties. The data above was obtained using 3mm thick opaque acrylic with a 54% light transmittance. Lucoled advises to paint the inside of the box/ letters in a matt white colour for achieving an optimal result. Always test before production.



POWER SUPPLY CAPACITY 12V SERIES

| Item | PP1230 | PP1260 | PP12100 | PP12150 | PP12200 |
|-------------------------------------|--------|--------|---------|---------|---------|
| Power Output | 30W | 60W | 100W | 150W | 200W |
| VR10 modules / power supply | 75 | 150 | 250 | 375 | 500 |
| Maximum 50 modules per chain | | | | | |

PACKAGING

| Item | Qty (pcs/bag) | Qty (bag / carton) | Total Qty (pcs / carton) | Total weight (kg) | Carton size (LxWxH) in mm |
|------|---------------|--------------------|--------------------------|-------------------|---------------------------|
| VR10 | 50 | 40 | 2000 | 12.7 | 528 x 376 x 272 |

Paprika



LUCOLED VR20



- *5 years warranty*
- *Lucolense wide angle technology*
- *Medium efficacy*
- *Constant Current Technology*
- *Narrow white binning*

Lucoled Value Range VR20 modules offer a high quality and efficient backlit solution for lightboxes and channel letters between 80 and 120mm deep.

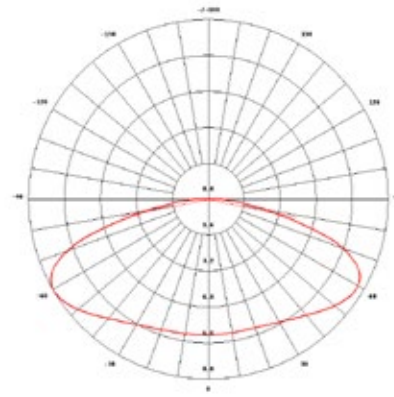
Lucoled VR series use medium efficiency LED's, optics and high quality components, resulting in a reliable, efficient, fit-for-purpose, solution for your every-day sign projects.

Lucoled VR series offer an excellent price-performance ratio and a 5 year warranty.

SPECIFICATIONS

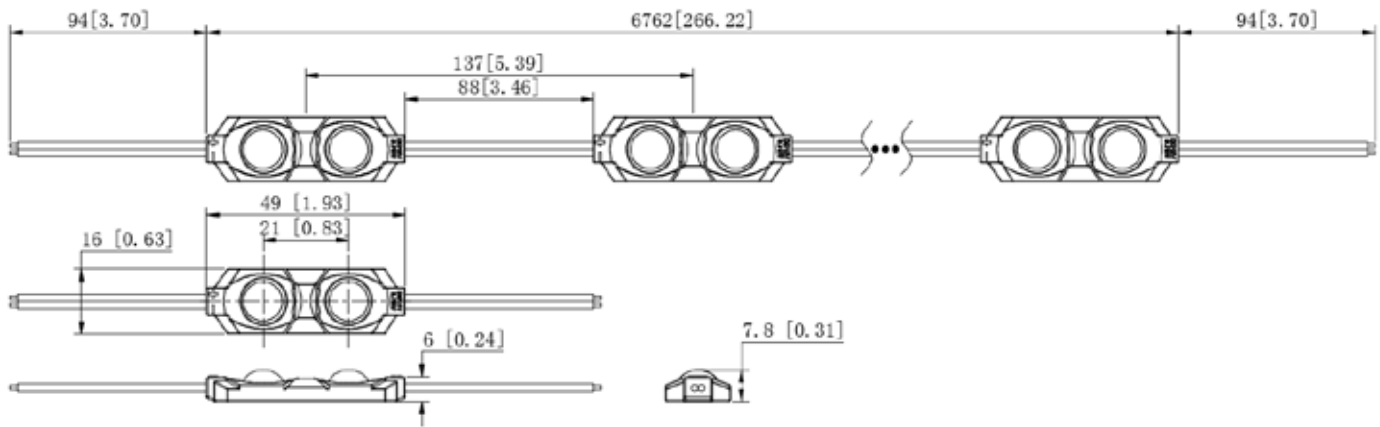
- Dimensions 49x16x7.8mm
- Warranty 5 years
- Beam angle: 160°
- Can be cut between every unit
- EL, CE and RoHS compliant
- Narrow white binning
- Constant Current Technology
- Operating temperature -25~+60°C

LUMINOUS INTENSITY DISTRIBUTION

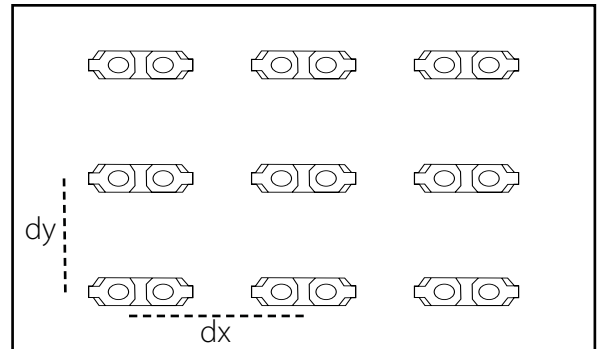


| Item no | LED colour | CT (K) | CRI | Power (W/mod) | Flux (lm/mod) | Efficacy (lm/W) | Voltage (DC) | Modules per chain | Modules per carton |
|----------|------------|--------|-----|---------------|---------------|-----------------|--------------|-------------------|--------------------|
| VR20-W65 | white | 6500 | >75 | 0.72 | 93 | 129 | 12 | 50 | 1400 |

DIMENSIONS



| Light box depth (mm) | Space between modules (mm) | Installing density (pcs/m ²) | Surface luminance range (cd/m ²) |
|----------------------|----------------------------|--|--|
| dz=80 | dx=110, dy=90 | 99 | 1760-1975 |
| dz=100 | dx=135, dy=110 | 63 | 1450-1560 |
| dz=120 | dx=135, dy=135 | 49 | 1195-1350 |



Results may vary depending on face material properties. The data above was obtained using 3mm thick opaque acrylic with a 54% light transmittance. Lucoled advises to paint the inside of the box/ letters in a matt white colour for achieving an optimal result. Always test before production.

POWER SUPPLY CAPACITY 12V SERIES

| Item | PP1230 | PP1260 | PP12100 | PP12150 | PP12200 |
|-------------------------------------|--------|--------|---------|---------|---------|
| Power Output | 30W | 60W | 100W | 150W | 200W |
| VR20 modules / power supply | 38 | 75 | 125 | 188 | 250 |
| Maximum 40 modules per chain | | | | | |

PACKAGING

| Item | Qty (pcs/bag) | Qty (bag / carton) | Total Qty (pcs / carton) | Total weight (kg) | Carton size (LxWxH) in mm |
|------|---------------|--------------------|--------------------------|-------------------|---------------------------|
| VR20 | 50 | 28 | 1400 | 11.5 | 528 x 376 x 272 |



Domino's

LUCOLED VR30



- *5 years warranty*
- *Lucolense wide angle technology*
- *Medium efficacy*
- *Constant Current Technology*
- *Narrow white binning*

Lucoled Value Range VR30 modules offer a high quality and efficient backlit solution for lightboxes and channel letters between 80 and 120mm deep.

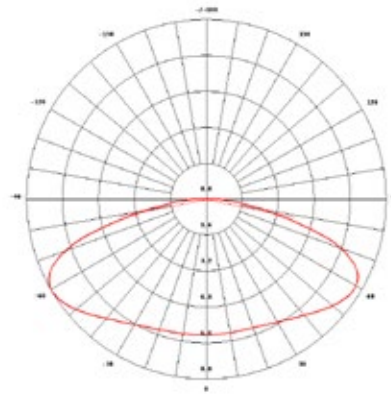
Lucoled VR series use medium efficiency LED's, optics and high quality components, resulting in a reliable, efficient, fit-for-purpose, solution for your every-day sign projects.

Lucoled VR series offer an excellent price-performance ratio and a 5 year warranty.

SPECIFICATIONS

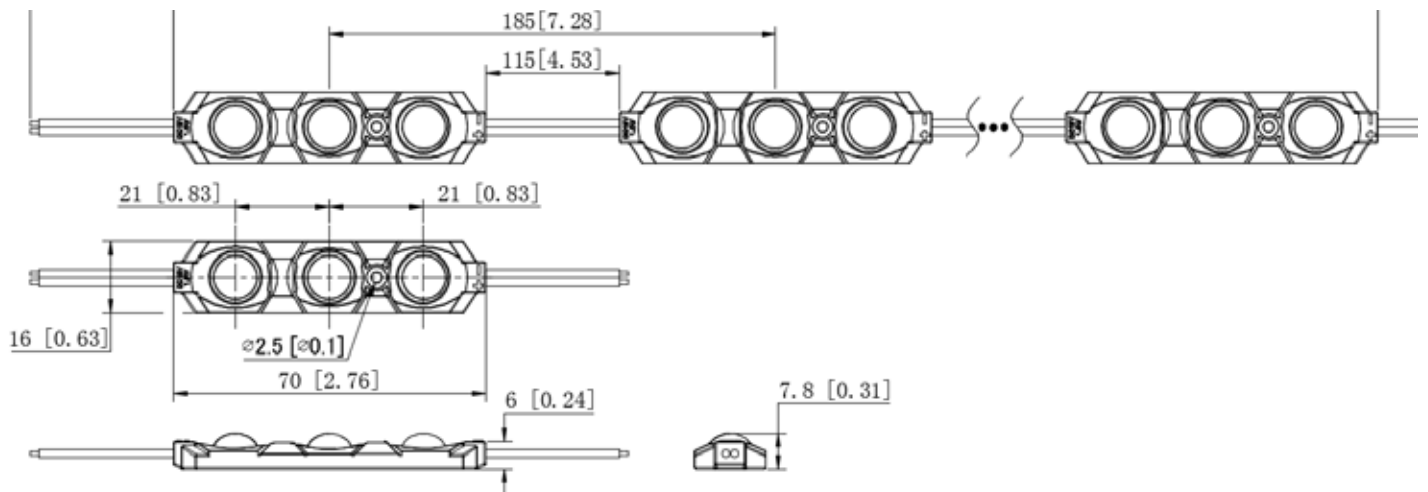
- Dimensions 70x16x7.8mm
- Warranty 5 years
- Beam angle: 160°
- Can be cut between every unit
- EL, CE and RoHS compliant
- Narrow white binning
- Constant Current Technology
- Operating temperature -25~+60°C

LUMINOUS INTENSITY DISTRIBUTION

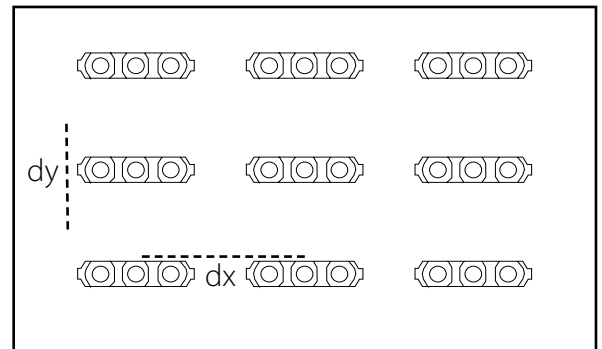


| Item no | LED colour | CT (K) or nm | CRI | Power (W/mod) | Flux (lm/mod) | Efficacy (lm/W) | Voltage (DC) | Modules per chain | Modules per carton |
|----------|------------|--------------|-----|---------------|---------------|-----------------|--------------|-------------------|--------------------|
| VR30-W65 | white | 6500 | >75 | 1.0 | 128 | 128 | 12 | 50 | 1200 |
| VR30-R | red | 620-625nm | - | 0.72 | 27 | 38 | 12 | 50 | 1200 |
| VR30-G | green | 525-530nm | - | 0.72 | 53 | 74 | 12 | 50 | 1200 |
| VR30-B | blue | 465-470nm | - | 0.72 | 10 | 14 | 12 | 50 | 1200 |
| VR30-Y | yellow | 585-590nm | - | 0.72 | 23 | 32 | 12 | 50 | 1200 |
| VR30-O | orange | 605-610nm | - | 0.72 | 27 | 38 | 12 | 50 | 1200 |

DIMENSIONS



| Light box depth (mm) | Space between modules (mm) | Installing density (pcs/m ²) | Surface luminance range (cd/m ²) |
|----------------------|----------------------------|--|--|
| dz=80 | dx=100, dy=90 | 90 | 2440-2900 |
| dz=100 | dx=130, dy=120 | 56 | 1760-2080 |
| dz=120 | dx=185, dy=140 | 35 | 1190-1400 |



Results may vary depending on face material properties. The data above was obtained using 3mm thick opaque acrylic with a 54% light transmittance. Lucoled advises to paint the inside of the box/ letters in a matt white colour for achieving an optimal result. Always test before production.

POWER SUPPLY CAPACITY 12V SERIES

| Item | PP1230 | PP1260 | PP12100 | PP12150 | PP12200 |
|---------------------------------------|--------|--------|---------|---------|---------|
| Power Output | 30W | 60W | 100W | 150W | 200W |
| VR30-W65 modules per power supply | 27 | 54 | 90 | 135 | 180 |
| VR30-R/G/B/Y modules per power supply | 37 | 75 | 125 | 187 | 225 |
| Maximum 30 modules per chain | | | | | |

PACKAGING

| Item | Qty (pcs/bag) | Qty (bag / carton) | Total Qty (pcs / carton) | Total weight (kg) | Carton size (LxWxH) in mm |
|------|---------------|--------------------|--------------------------|-------------------|---------------------------|
| VR30 | 50 | 24 | 1200 | 14.5 | 528 x 376 x 272 |



SANA METROPOLITAN HOTEL

LUCOLED VR40



- *5 years warranty*
- *Lucolense wide angle technology*
- *Medium efficacy*
- *Constant Current Technology*
- *Narrow white binning*

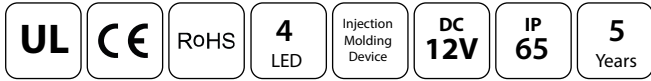
Lucoled Value Range VR40 modules offer a high quality and efficient backlit solution for lightboxes and channel letters between 80 and 120mm deep.

Lucoled VR series use medium efficiency LED's, optics and high quality components, resulting in a reliable, efficient, fit-for-purpose, solution for your every-day sign projects.

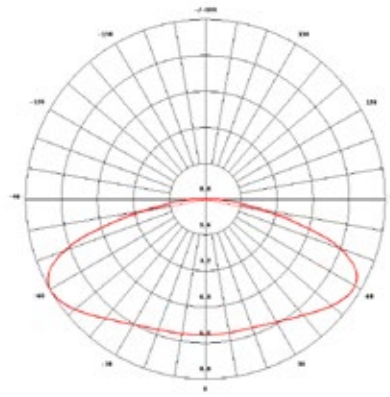
Lucoled VR series offer an excellent price-performance ratio and a 5 year warranty.

SPECIFICATIONS

- Dimensions 45x38x7.8mm
- Warranty 5 years
- Beam angle: 160°
- Can be cut between every unit
- EL, CE and RoHS compliant
- Narrow white binning
- Constant Current Technology
- Operating temperature -25~+60°C

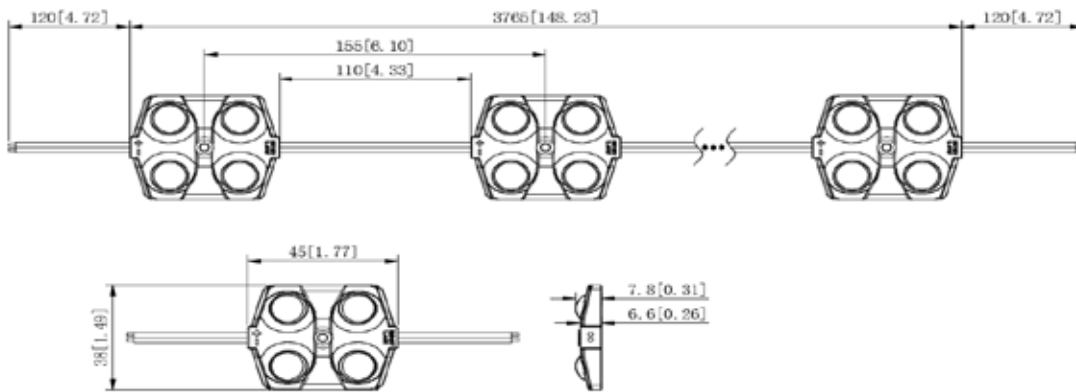


LUMINOUS INTENSITY DISTRIBUTION

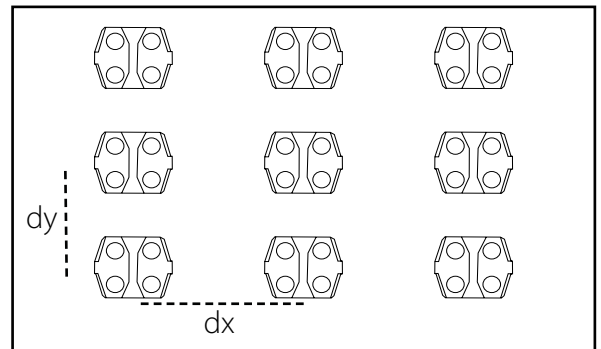


| Item no | LED colour | CT (K) | CRI | Power (W/mod) | Flux (lm/mod) | Efficacy (lm/W) | Voltage (DC) | Modules per chain | Modules per carton |
|----------|------------|--------|-----|---------------|---------------|-----------------|--------------|-------------------|--------------------|
| VR40-W65 | white | 6500 | >75 | 1.5 | 188 | 125 | 12 | 50 | 800 |

DIMENSIONS



| Light box depth (mm) | Space between modules (mm) | Installing density (pcs/m ²) | Surface luminance range (cd/m ²) |
|----------------------|----------------------------|--|--|
| dz=80 | dx=130, dy=80 | 84 | 3000-3530 |
| dz=100 | dx=155, dy=110 | 54 | 2230-2440 |
| dz=120 | dx=155, dy=140 | 42 | 1920-2080 |



Results may vary depending on face material properties. The data above was obtained using 3mm thick opaque acrylic with a 54% light transmittance. Lucoled advises to paint the inside of the box/ letters in a matt white colour for achieving an optimal result. Always test before production.

POWER SUPPLY CAPACITY 12V SERIES

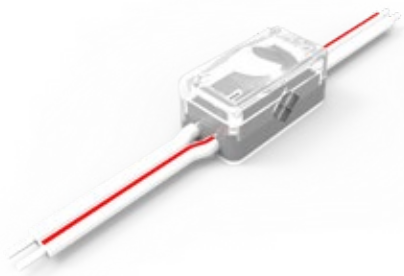
| Item | PP1230 | PP1260 | PP12100 | PP12150 | PP12200 |
|-------------------------------------|--------|--------|---------|---------|---------|
| Power Output | 30W | 60W | 100W | 150W | 200W |
| VR30 modules / power supply | 18 | 38 | 63 | 94 | 125 |
| Maximum 30 modules per chain | | | | | |

PACKAGING

| Item | Qty (pcs/bag) | Qty (bag / carton) | Total Qty (pcs / carton) | Total weight (kg) | Carton size (LxWxH) in mm |
|------|---------------|--------------------|--------------------------|-------------------|---------------------------|
| VR40 | 50 | 16 | 800 | 14.1 | 528 x 376 x 272 |



LUCOLED BL11



- *5 years warranty*
First 2 years extended warranty
- *High efficacy: 158lm/W*
- *Constant Current Technology*
- *Narrow white binning*

Lucoled Plus BL11 modules offer a high quality and efficient backlit solution for channel letters made from routed full acrylic.

Lucoled Plus BL11 modules are IP65 and can be used without the need for fully potting the acrylic letters. This makes the production process much cleaner and faster. Potting material can also damage LED phosphor and can have a colour shift and reduced life as a result. The BL11 is a fully enclosed module and does not have this disadvantage.

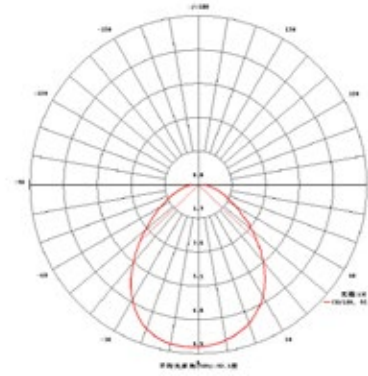
Lucoled Plus BL11 can also be used in very narrow and small traditional channel letters.

SPECIFICATIONS

- Dimensions 13x7x7mm
- Warranty 5 years (first 2 years extended)
- Beam angle: 120°
- Can be cut between every unit
- UL, CE and RoHS compliant
- Narrow white binning
- Constant Current Technology
- Operating temperature -25~+60C

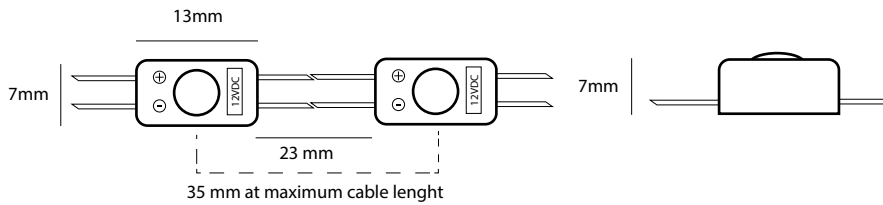


LUMINOUS INTENSITY DISTRIBUTION



| Item no | LED colour | CT (K) | CRI | Power (W/mod) | Flux (lm/mod) | Efficacy (lm/W) | Voltage (DC) | Modules per chain | Modules per carton |
|----------|------------|--------|-----|---------------|---------------|-----------------|--------------|-------------------|--------------------|
| BL11-W65 | white | 6500 | >70 | 0.24 | 38 | 158 | 12 | 50 | 8400 |
| BL11-W30 | white | 3000 | >70 | 0.24 | 38 | 158 | 12 | 50 | 8400 |

DIMENSIONS



POWER SUPPLY CAPACITY 12V SERIES

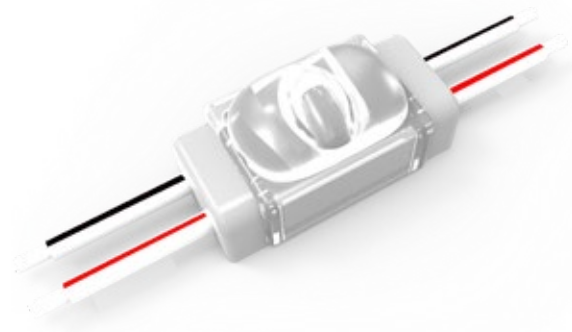
| Item | PP1230 | PP1260 | PP12100 | PP12150 | PP12200 |
|-------------------------------------|--------|--------|---------|---------|---------|
| Power Output | 30W | 60W | 100W | 150W | 200W |
| BL11 modules / power supply | 112 | 225 | 375 | 562 | 750 |
| Maximum 50 modules per chain | | | | | |

PACKAGING

| Item | Qty (pcs/bag) | Qty (bag / carton) | Total Qty (pcs / carton) | Total weight (kg) | Carton size (LxWxH) in mm |
|------|---------------|--------------------|--------------------------|-------------------|---------------------------|
| BL11 | 300 | 28 | 8400 | 12.5 | 264 x 376 x 272 |

athlete's co.

LUCOLED BL15



- *5 years warranty*
First 2 years extended warranty
- *Lucolense wide beam technology*
- *High efficacy: 158lm/W*
- *Constant Current Technology*
- *Narrow white binning*

Lucoled Plus BL15 modules offer a high quality and efficient backlit solution for channel letters made from routed full acrylic.

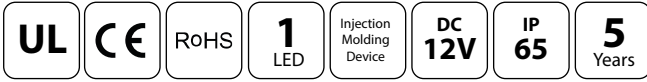
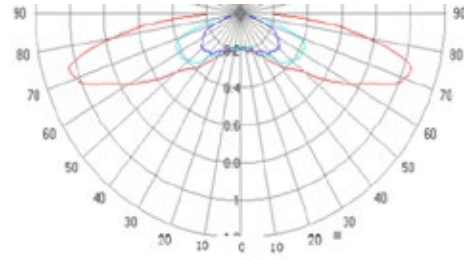
Lucoled Plus BL15 modules are IP67 and can be used without the need for fully potting the acrylic letters. This makes the production process much cleaner and faster. Potting material can also damage LED phosphor and can have a colour shift and reduced life as a result. The BL15 is a fully enclosed module and does not have this disadvantage.

Lucoled Plus BL15 can also be used in very narrow and small traditional channel letters.

SPECIFICATIONS

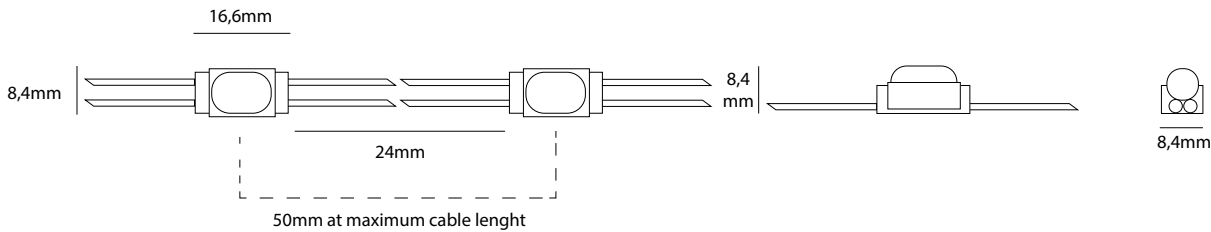
- Dimensions 16.6x8.4x8.4mm
- Warranty 5 years (first 2 years extended)
- Beam angle: 170° x 130° oval
- Can be cut between every unit
- UL, CE and RoHS compliant
- Narrow white binning
- Constant Current Technology
- Operating temperature -25~+80C

LUMINOUS INTENSITY DISTRIBUTION



| Item no | LED colour | CT (K) | CRI | Power (W/mod) | Flux (lm/mod) | Efficacy (lm/W) | Voltage (DC) | Modules per chain | Modules per carton |
|----------|------------|--------|-----|---------------|---------------|-----------------|--------------|-------------------|--------------------|
| BL15-W30 | white | 3000 | >70 | 0.24 | 38 | 158 | 12 | 50 | 6000 |
| BL15-W65 | white | 6500 | >70 | 0.24 | 38 | 158 | 12 | 50 | 6000 |

DIMENSIONS



POWER SUPPLY CAPACITY 12V SERIES

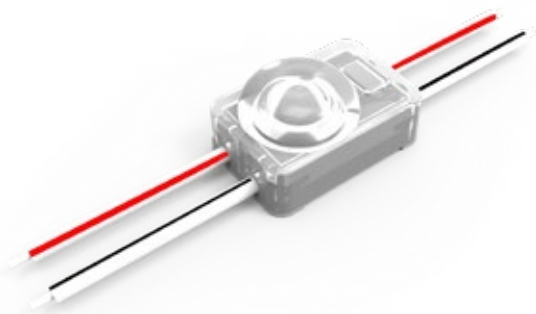
| Item | PP1230 | PP1260 | PP12100 | PP12150 | PP12200 |
|-------------------------------------|--------|--------|---------|---------|---------|
| Power Output | 30W | 60W | 100W | 150W | 200W |
| BL15 modules / power supply | 112 | 225 | 375 | 562 | 750 |
| Maximum 50 modules per chain | | | | | |

PACKAGING

| Item | Qty (pcs/bag) | Qty (bag / carton) | Total Qty (pcs / carton) | Total weight (kg) | Carton size (LxWxH) in mm |
|------|---------------|--------------------|--------------------------|-------------------|---------------------------|
| BL15 | 500 | 12 | 6000 | 7.2 | 264 x 376 x 272 |

next

LUCOLED BL16



- *5 years warranty*
First 2 years extended warranty
- *Lucolense Technology*
- *High efficacy: 133lm/W*
- *Constant Current Technology*
- *Narrow white binning*

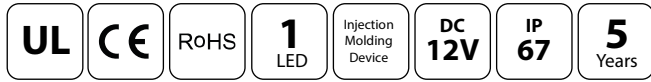
Lucoled Plus BL16 modules offer a high quality and efficient backlit solution for small face lit channel letters with a depth from 20 to 60mm and stroke widths up to 50 mm for a single row.

Lucoled Plus BL16 modules are IP67 and can be used in outdoor applications.

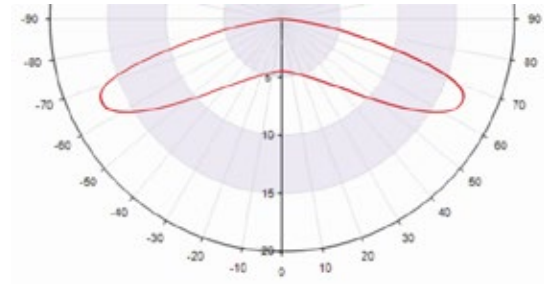
Lucoled Plus BL16 modules are available in several colour temperatures.

SPECIFICATIONS

- Dimensions 10.3x15.3x7.8mm
- Warranty 5 years (first 2 years extended)
- Beam angle: 160°
- Can be cut between every unit
- UL, CE and RoHS compliant
- Narrow white binning
- Constant Current Technology
- Operating temperature -25~+80C

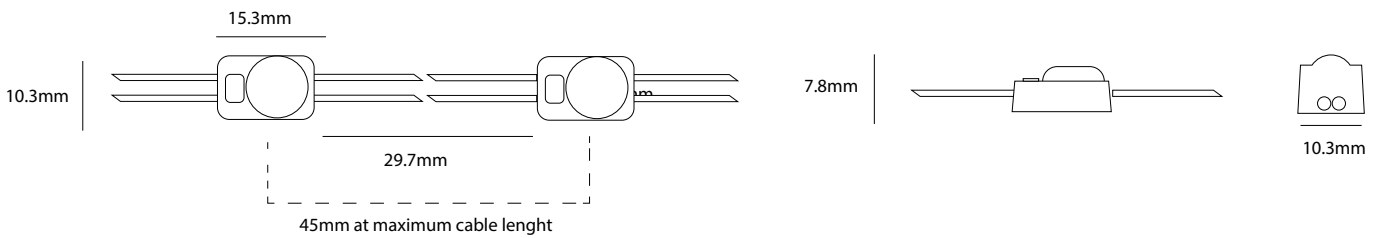


LUMINOUS INTENSITY DISTRIBUTION



| Item no | LED colour | CT (K) | CRI | Power (W/mod) | Flux (lm/mod) | Efficacy (lm/W) | Voltage (DC) | Modules per chain | Modules per carton |
|----------|------------|--------|-----|---------------|---------------|-----------------|--------------|-------------------|--------------------|
| BL16-W35 | white | 3500 | >70 | 0.30 | 30 | 100 | 12 | 50 | 5600 |
| BL16-R | red | n.a. | >70 | 0.30 | 12 | 40 | 12 | 50 | 5600 |

DIMENSIONS



POWER SUPPLY CAPACITY 12V SERIES

| Item | PP1230 | PP1260 | PP12100 | PP12150 | PP12200 |
|-------------------------------------|--------|--------|---------|---------|---------|
| Power Output | 30W | 60W | 100W | 150W | 200W |
| BL16 modules / power supply | 112 | 225 | 375 | 562 | 750 |
| Maximum 50 modules per chain | | | | | |

PACKAGING

| Item | Qty (pcs/bag) | Qty (bag / carton) | Total Qty (pcs / carton) | Total weight (kg) | Carton size (LxWxH) in mm |
|------|---------------|--------------------|--------------------------|-------------------|---------------------------|
| BL16 | 400 | 14 | 5600 | 11.8 | 530 x 380 x 280 |

WELCOME TO
GRAND CENTRAL

LUCOLED BL17



- *5 years warranty*
First 2 years extended warranty
- *Lucolense Technology*
- *High efficacy: 160 lm/W*
- *Constant Current Technology*
- *Narrow white binning*

Lucoled Plus BL17 modules offer a high quality and high efficient backlit solution for small face lit channel letters with a depth from 20 to 60mm and stroke widths up to 50 mm for a single row.

Lucoled Plus BL17 modules are IP67 and can be used in outdoor applications.

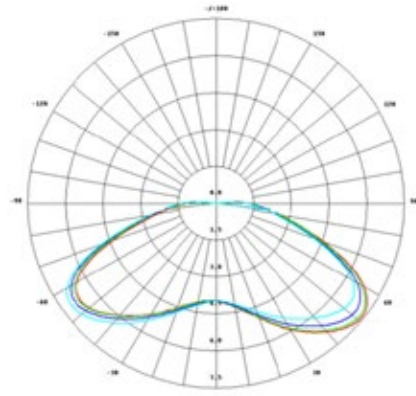
Lucoled Plus BL17 modules are available in several colour temperatures.

SPECIFICATIONS

- Dimensions 10x16x8.8mm
- Warranty 5 years (first 2 years extended)
- Beam angle: 160°
- Can be cut between every unit
- UL, CE and RoHS compliant
- Narrow white binning
- Constant Current Technology
- Operating temperature -25~+80C

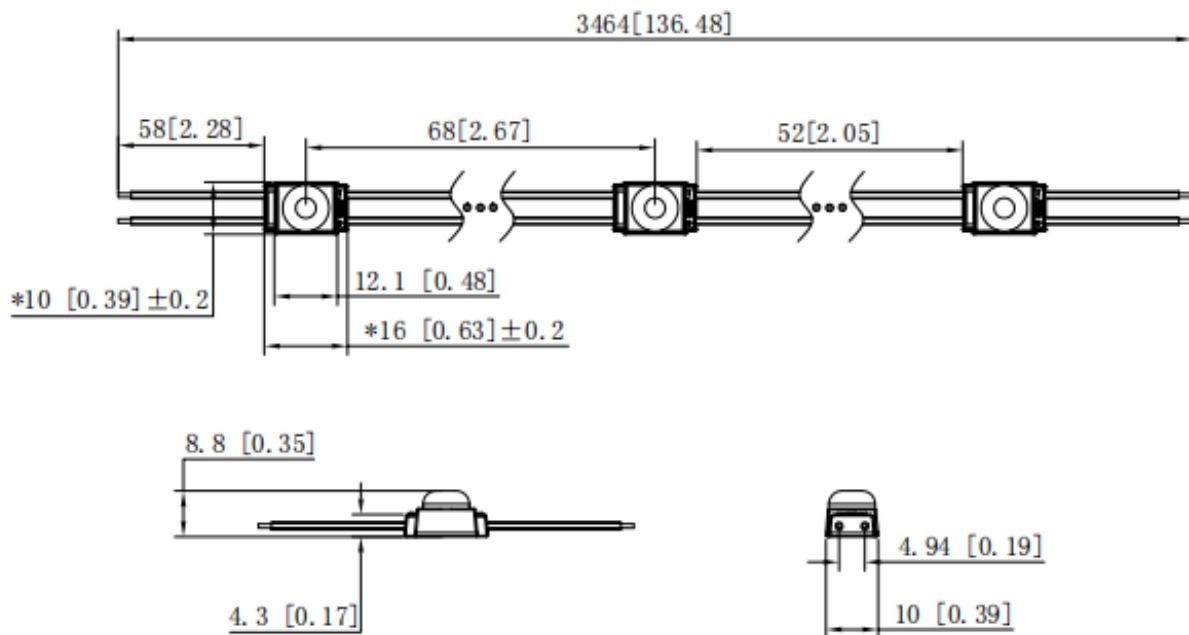


LUMINOUS INTENSITY DISTRIBUTION



| Item no | LED colour | CT (K) | CRI | Power (W/mod) | Flux (lm/mod) | Efficacy (lm/W) | Voltage (DC) | Modules per chain | Modules per carton |
|----------|------------|--------|-----|---------------|---------------|-----------------|--------------|-------------------|--------------------|
| BL17-W35 | white | 3500 | >70 | 0.24 | 38 | 160 | 12 | 50 | 5000 |
| BL17-W70 | white | 7000 | >70 | 0.24 | 38 | 160 | 12 | 50 | 5000 |

DIMENSIONS



POWER SUPPLY CAPACITY 12V SERIES

| Item | PP1230 | PP1260 | PP12100 | PP12150 | PP12200 |
|-------------------------------------|--------|--------|---------|---------|---------|
| Power Output | 30W | 60W | 100W | 150W | 200W |
| BL17 modules / power supply | 112 | 225 | 375 | 562 | 750 |
| Maximum 50 modules per chain | | | | | |

PACKAGING

| Item | Qty (pcs/bag) | Qty (bag / carton) | Total Qty (pcs / carton) | Total weight (kg) | Carton size (LxWxH) in mm |
|------|---------------|--------------------|--------------------------|-------------------|---------------------------|
| BL17 | 500 | 10 | 5000 | 11.2 | 530 x 380 x 280 |

HARVEST MARKET

FRESH & LOCAL

LUCOLED BL20



- *5 years warranty*
First 2 years extended warranty
- *Smallest 2 LED module*
- *Lucolense technology*
- *Narrow white binning*
- *Bend-And-Stay wiring*

Lucoled Plus BL20 modules offer a high quality and efficient backlit solution for small face lit channel letters with a depth from 20 to 60 mm.

Lucoled Plus BL20 modules are IP67 and are easy to install due to the VHB tape with a peel-off lip and special Bend-And-Stay wiring that keeps its position once bent.

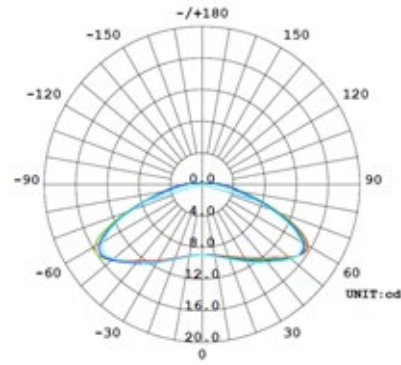
Lucoled Plus BL20 is the best solution for very narrow and small, face lit, channel letters, including 3D printed versions.

SPECIFICATIONS

- Dimensions 8.5x13.3x7.8mm
- Warranty 5 years (first 2 years extended)
- Beam angle: 155°
- Can be cut between every unit
- UL, CE and RoHS compliant
- Narrow white binning
- Constant Current Technology
- Operating temperature -25~+60C
- 3M VHB tape
- Bend-And-Stay PVC wires

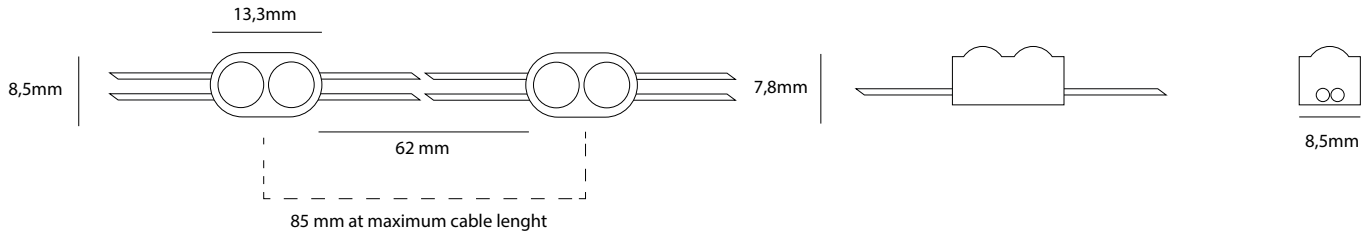


LUMINOUS INTENSITY DISTRIBUTION



| Item no | LED colour | CT (K) | CRI | Power (W/mod) | Flux (lm/mod) | Efficacy (lm/W) | Voltage (DC) | Modules per chain | Modules per carton |
|----------|------------|--------|-----|---------------|---------------|-----------------|--------------|-------------------|--------------------|
| BL20-W65 | white | 6500 | >80 | 0.28 | 30 | 107 | 12 | 50 | 6000 |

DIMENSIONS



POWER SUPPLY CAPACITY 12V SERIES

| Item | PP1230 | PP1260 | PP12100 | PP12150 | PP12200 |
|-------------------------------------|--------|--------|---------|---------|---------|
| Power Output | 30W | 60W | 100W | 150W | 200W |
| BL20 modules / power supply | 96 | 193 | 321 | 482 | 643 |
| Maximum 50 modules per chain | | | | | |

PACKAGING

| Item | Qty (pcs/bag) | Qty (bag / carton) | Total Qty (pcs / carton) | Total weight (kg) | Carton size (LxWxH) in mm |
|------|---------------|--------------------|--------------------------|-------------------|---------------------------|
| BL20 | 500 | 12 | 6000 | n.a. | n.a. |



LUCOLED BL31



- *5 years warranty*
- *First 2 years extended warranty*
- *Lucolense wide beam technology*
- *High efficacy*
- *Constant Current Technology*
- *Narrow white binning*

Lucoled Plus BL31 modules offer a high quality and efficient backlit solution for lightboxes with a depth of 100-300 mm.

Using the latest Top-Tier LED technology and high quality patented optics Lucoled Plus BL31 offers industry leading efficacy and coverage. This not only reduces the amount of modules needed for an application, but also the overall power consumption.

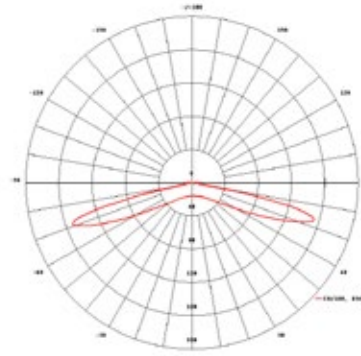
In a typical application of 125 mm deep only 9 modules per square meter are used at maximum wire spacing, making installation very fast and less labour intensive. Using only 32,4 W per square meter also the number of power supplies needed is strongly reduced.

SPECIFICATIONS

- Dimensions 169x32x10mm
- Warranty 5 years (first 2 years extended)
- Beam angle: 170°
- Can be cut between every unit
- UL, CE and RoHS compliant
- Narrow white binning
- Constant Current Technology
- Operating temperature -25~+60C

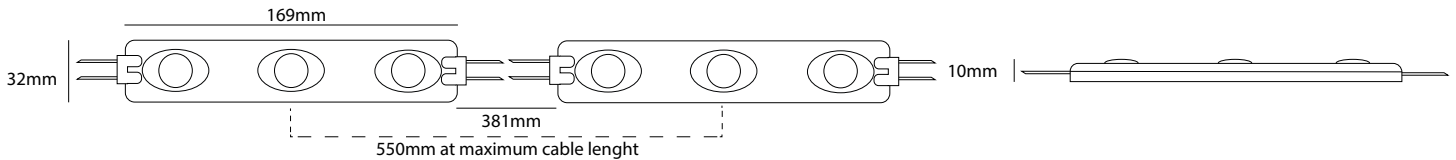


LUMINOUS INTENSITY DISTRIBUTION

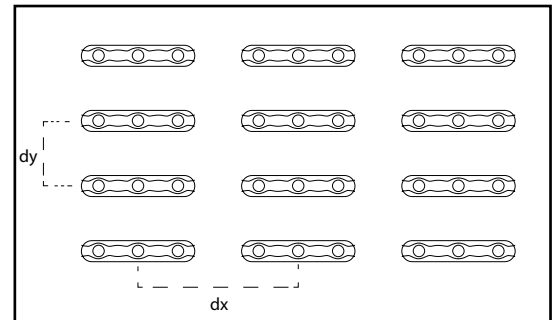


| Item no | LED colour | CT (K) | CRI | Power (W/mod) | Flux (lm/mod) | Efficacy (lm/W) | Voltage (DC) | Modules per chain | Modules per carton |
|----------|------------|--------|-----|---------------|---------------|-----------------|--------------|-------------------|--------------------|
| BL31-W30 | white | 3000 | >70 | 3.6 | 350 | 97 | 12 | 16 | 320 |
| BL31-W65 | white | 6500 | >70 | 3.6 | 350 | 97 | 12 | 16 | 320 |

DIMENSIONS



| Light box depth (mm) | Space between modules (mm) | Installing density (pcs/m ²) | Surface luminance range (cd/m ²) |
|----------------------|----------------------------|--|--|
| dz=100 | dx=300, dy=250 | 13 | 900-1100 |
| dz=150 | dx=300, dy=500 | 7 | 400-450 |
| dz=200 | dx=300, dy=700 | 5 | 250-300 |
| dz=250 | dx=350, dy=900 | 3 | 160-180 |
| dz=300 | dx=350, dy=1100 | 3 | 160-180 |



Results may vary depending on face material properties. The data above was obtained using 3mm thick opaque acrylic with a 54% light transmittance. Lucoled advises to paint the inside of the box/letters in a matt white colour for achieving an optimal result. Always test before production.

POWER SUPPLY CAPACITY 12V SERIES

| Item | PP1230 | PP1260 | PP12100 | PP12150 | PP12200 |
|-------------------------------------|--------|--------|---------|---------|---------|
| Power Output | 30W | 60W | 100W | 150W | 200W |
| BL31 modules / power supply | 7 | 14 | 24 | 36 | 48 |
| Maximum 16 modules per chain | | | | | |

PACKAGING

| Item | Qty (pcs/bag) | Qty (bag / carton) | Total Qty (pcs / carton) | Total weight (kg) | Carton size (LxWxH) in mm |
|------|---------------|--------------------|--------------------------|-------------------|---------------------------|
| BL31 | 32 | 10 | 320 | 20.1 | 528 x 376 x 272 |



LUCOLED BL36-RGBW



- *5 years warranty*
- *Lucolense wide beam technology*
- *RGBW True white technology*

Lucoled Plus BL36-RGBW modules offer a high quality backlit solution for colour changing or custom colour channel letters and lightboxes with a depth of 80 – 250 mm.

Using the latest 4-in-1 package RGBW technology the modules can create a true white, as it contains a separate white LED. By adding white to the RGB mix it is possible to accurately match any colour desired and make pastel and lighter colours more vibrant. The special optics provide optimal mixing of the individual colours and make it possible to use the modules in shallow applications.

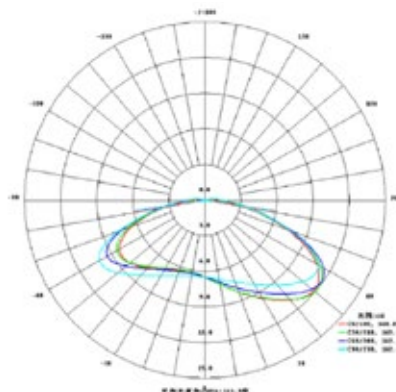
Lucoled Plus BL36-RGBW can be controlled by all available control systems in the market, offering maximum flexibility for your projects.

SPECIFICATIONS

- Dimensions 78x178x11mm
- Warranty 5 years
- Beam angle: 160°
- Can be cut between every unit
- UL, CE and RoHS compliant
- Constant Current Technology
- Operating temperature -25°~+60°C
- R = 625 nm, G = 525 nm, B = 470 nm
- W = 6500K

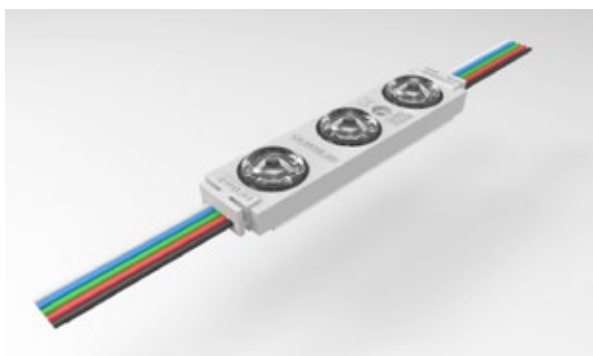
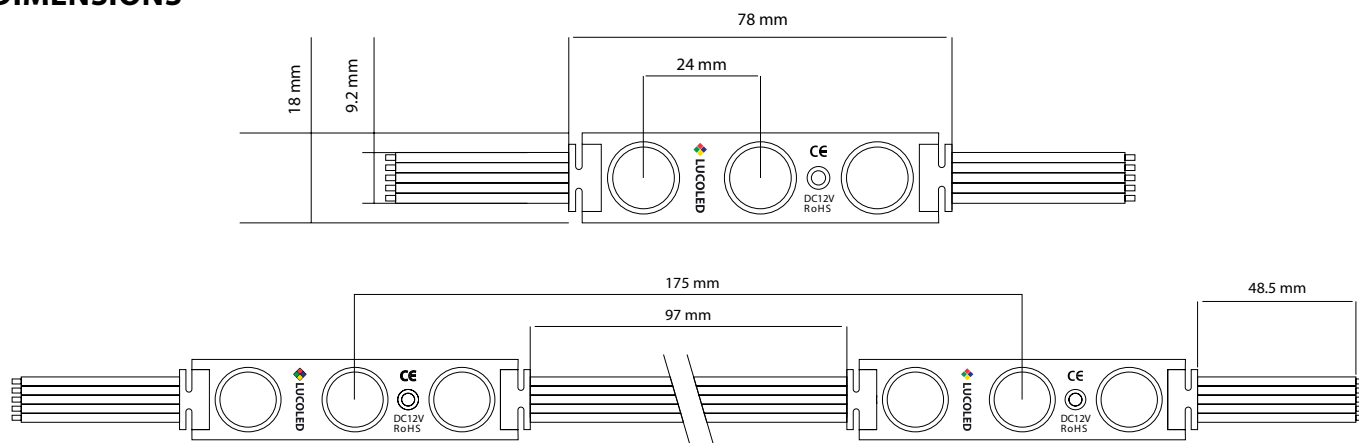


LUMINOUS INTENSITY DISTRIBUTION



| Item no | LED colour | CT (K) | CRI | Power (W/mod) | Flux (lm/mod) | Voltage (DC) | Modules per chain | Modules per carton |
|-----------|------------|---------------|-----|----------------|---------------|--------------|-------------------|--------------------|
| BL36-RGBW | RGBW | RGBW (W=6500) | >75 | 1.02 (RGBW on) | R8 G16 B4 W26 | 12 | 20 | 640 |

DIMENSIONS



POWER SUPPLY CAPACITY 12V SERIES

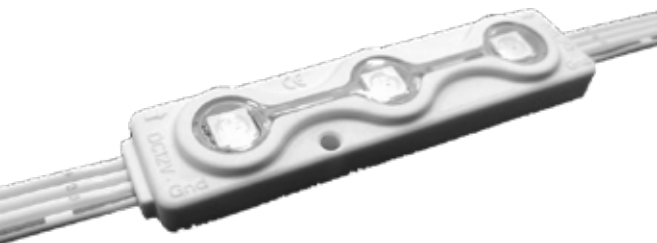
| Item | PP1230 | PP1260 | PP12100 | PP12150 | PP12200 |
|---|--------|--------|---------|---------|---------|
| Power Output | 30W | 60W | 100W | 150W | 200W |
| BL36 modules / power supply (RGBW all on) | 27 | 54 | 90 | 135 | 180 |
| Maximum 20 modules per chain | | | | | |

PACKAGING

| Item | Qty (pcs/bag) | Qty (bag / carton) | Total Qty (pcs / carton) | Total weight (kg) | Carton size (LxWxH) in mm |
|-----------|---------------|--------------------|--------------------------|-------------------|---------------------------|
| BL35-RGBW | 40 | 16 | 640 | 16.1 | 528x 378 x 272 |



LUCOLED BL37-RGBDC



- *5 years warranty*
- *RGB Dot Controllable (SPI)*
- *Control IC: WS2811 (UCS512B3)*

Lucoled Plus BL37-RGBDC modules offer a high quality dynamic backlit solution for colour changing or custom colour channel letters and lightboxes with a depth of 100 – 250 mm.

The BL37-RGBDC modules can be individually controlled. This way dynamic lightboxes or logo's can be created with animated effects or even low resolution video.

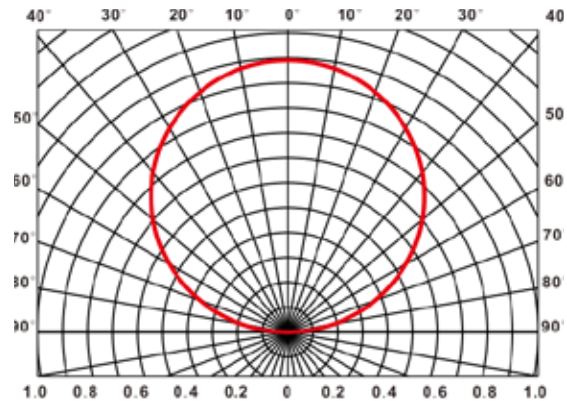
Lucoled Plus BL37-RGBDC can be controlled by many industry standard DMX/SPI control systems in the market, offering maximum flexibility for your projects.

SPECIFICATIONS

- Dimensions 67x16x8mm
- Warranty 5 years
- Beam angle: 120°
- Can be cut between every unit
- UL, CE and RoHS compliant
- SPI(DMX512) control IC WS2811
- Operating temperature -25°~+55°C
- R = 620 nm, G = 510 nm, B = 460 nm

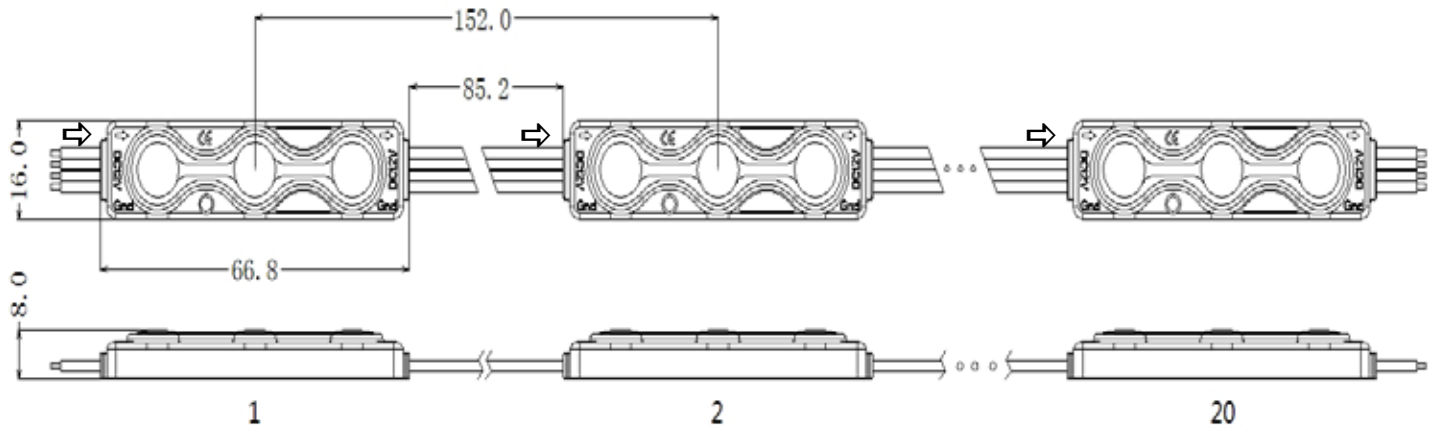


LUMINOUS INTENSITY DISTRIBUTION



| Item no | LED colour | CT (K) | CRI | Power (W/mod) | Flux (lm/mod) | Voltage (DC) | Modules per chain | Modules per carton |
|------------|------------|--------|-----|-----------------|---------------|--------------|-------------------|--------------------|
| BL37-RGBDC | RGB | - | - | 0.72 W (RGB on) | R6 G16 B4 | 12 | 20 | 1280 |

DIMENSIONS



POWER SUPPLY CAPACITY 12V SERIES

| Item | PP1230 | PP1260 | PP12100 | PP12150 | PP12200 |
|--|--------|--------|---------|---------|---------|
| Power Output | 30W | 60W | 100W | 150W | 200W |
| BL37 modules / power supply (RGB all on) | 37 | 74 | 125 | 187 | 250 |
| Maximum 20 modules per chain | | | | | |

PACKAGING

| Item | Qty (pcs/bag) | Qty (bag / carton) | Total Qty (pcs / carton) | Total weight (kg) | Carton size (LxWxH) in mm |
|------------|---------------|--------------------|--------------------------|-------------------|---------------------------|
| BL37-RGBDC | 80 | 16 | 1280 | 16.6 | 528x 378 x 272 |



LUCOLED BL71



- *5 years warranty*
First 2 years extended warranty
- *Lucolense wide beam technology*
- *High efficacy*
- *Constant Current Technology*
- *Narrow white binning*

Lucoled Plus BL71 modules offer a high quality and efficient backlit solution for lightboxes with a depth of 120-300 mm.

Using the latest Top-Tier LED technology and high quality patented optics Lucoled Plus BL71 offers industry leading efficacy and coverage. This not only reduces the amount of modules needed for an application, but also the overall power consumption.

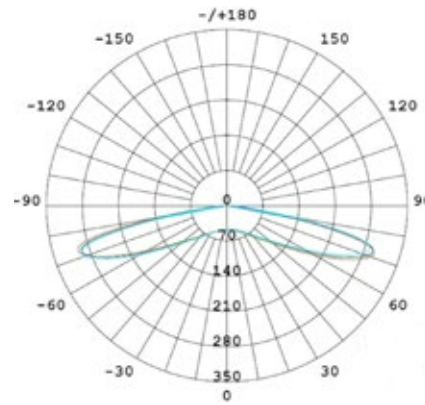
In a typical application of 160 mm deep only 4 modules per square meter are used at maximum wire spacing, making installation very fast and less labour-intensive. By using only 28 W per square meter the number of power supplies needed is also strongly reduced.

SPECIFICATIONS

- Dimensions 100x90x10mm
- Warranty 5 years (first 2 years extended)
- Beam angle: 160°
- Can be cut between every unit
- UL, CE and RoHS compliant
- Narrow white binning
- Constant Current Technology
- Operating temperature -25~+60C

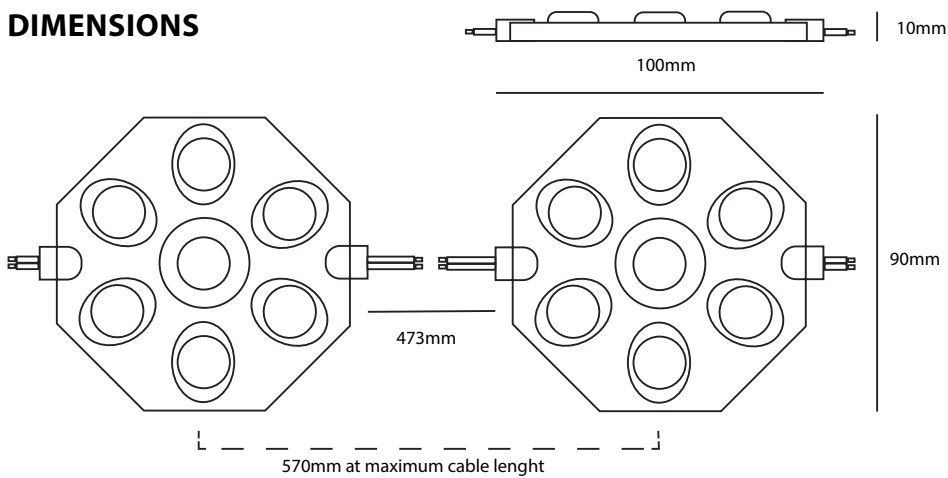


LUMINOUS INTENSITY DISTRIBUTION

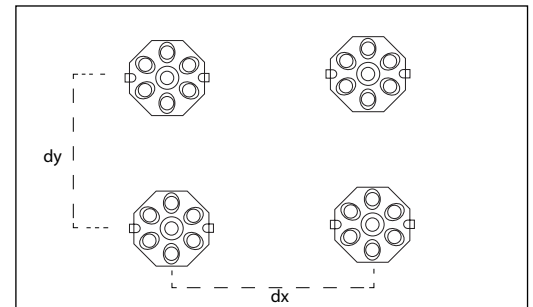


| Item no | LED colour | CT (K) | CRI | Power (W/mod) | Flux (lm/mod) | Efficacy (lm/W) | Voltage (DC) | Modules per chain | Modules per carton |
|----------|------------|--------|-----|---------------|---------------|-----------------|--------------|-------------------|--------------------|
| BL71-W65 | white | 6500 | >70 | 7.0 | 850 | 121 | 24 | 10 | 80 |

DIMENSIONS



| Light box depth (mm) | Space between modules (mm) | Installing density (pcs/m ²) | Surface luminance range (cd/m ²) |
|----------------------|----------------------------|--|--|
| dz=120 | dx=300, dy=300 | 9 | 1250-1350 |
| dz=150 | dx=450, dy=400 | 6 | 850-950 |
| dz=180 | dx=500, dy=500 | 4 | 450-550 |
| dz=180 | dx=450, dy=400 | 6 | 700-800 |
| dz=180 | dx=300, dy=300 | 9 | 1050-1150 |
| dz=250 | dx=500, dy=500 | 4 | 350-450 |



Results may vary depending on face material properties. The data above was obtained using 3mm thick opaque acrylic with a 54% light transmittance. Lucoled advises to paint the inside of the box/letters in a matt white colour for achieving an optimal result. Always test before production.

POWER SUPPLY CAPACITY 24V SERIES

| Item | PP2430 | PP2460 | PP24100 | PP24150 | PP24200 |
|-------------------------------------|--------|--------|---------|---------|---------|
| Power Output | 30W | 60W | 100W | 150W | 200W |
| BL71 modules / power supply | 3 | 7 | 13 | 19 | 25 |
| Maximum 10 modules per chain | | | | | |

PACKAGING

| Item | Qty (pcs/bag) | Qty (pcs / carton) | Total Qty (pcs / carton) | Total weight (kg) | Carton size (LxWxH) in mm |
|------|---------------|--------------------|--------------------------|-------------------|---------------------------|
| BL71 | 20 | 80 | 160 | 15.3 | 528 x 376 x 272 |



LUCOLED BLI



- *5 years warranty*
- *Lucolense prismatic flat beam technology*
- *High efficacy*
- *Constant Current Technology*
- *Narrow white binning*

Lucoled BLI LED bars offer a high quality and efficient backlit solution for very shallow lightboxes down to 30 mm deep.

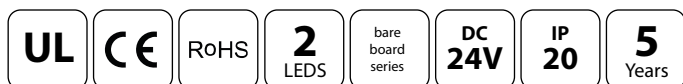
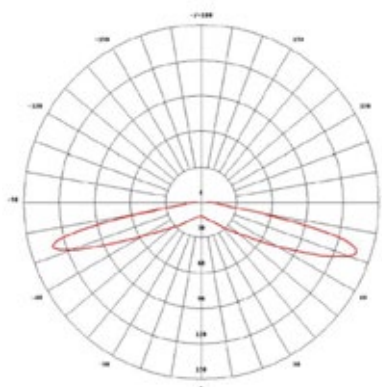
The BLI series comes in 3 lengths, each simply cuttable to fit your lightbox. The whole system is equipped with connectors and comes with a pre wired connection system, making it a plug-and-play installation.

The BLI series uses the latest reimagined flat beam prism lens technology, reducing the number of LED's required for an even illumination and thus also reducing required power per square meter to only 57 W/m². This while offering 6.798 lumen per square meter, 120 lm/W efficiency, giving a bright and efficient result at reduced total cost of ownership.

SPECIFICATIONS

- 2835 SMD LED with long life and low attenuation
- Easy installation with connectors and prewired cable harness, plug and play.
- Warranty 5 years
- Beam angle: 170°
- Cuttable every 2 LEDs
- UL, CE and RoHS compliant
- Narrow white binning
- Constant Current Technology
- Operating temperature -25~+60C

LUMINOUS INTENSITY DISTRIBUTION



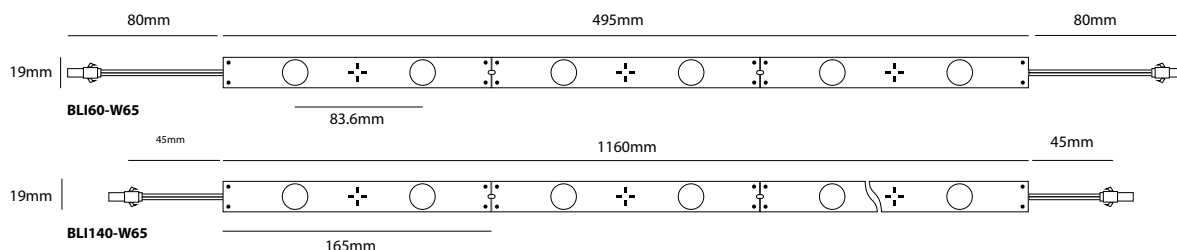
| Item no | LED colour | CT (K) | CRI | Power (W/mod) | Flux (lm/mod) | Efficacy (lm/W) | Voltage (DC) | Modules in series | Modules per BLI-CON | Modules per carton |
|------------|------------|--------|-----|---------------|---------------|-----------------|--------------|-------------------|---------------------|--------------------|
| BLI20-W65 | white | 6500 | >70 | 0.86 | 101 | 118 | 24 | 24 | 180 | 200 |
| BLI20-W40 | white | 4000 | >70 | 0.86 | 101 | 118 | 24 | 24 | 180 | 200 |
| BLI20-W30 | white | 3000 | >70 | 0.86 | 101 | 118 | 24 | 24 | 180 | 200 |
| BLI60-W65 | white | 6500 | >70 | 2.6 | 312 | 120 | 24 | 8 | 60 | 180 |
| BLI60-W40 | white | 4000 | >70 | 2.6 | 312 | 120 | 24 | 8 | 60 | 180 |
| BLI60-W30 | white | 3000 | >70 | 2.6 | 312 | 120 | 24 | 8 | 60 | 180 |
| BLI140-W65 | white | 6500 | >70 | 6 | 720 | 120 | 24 | 4 | 30 | 300 |

ACCESSORIES

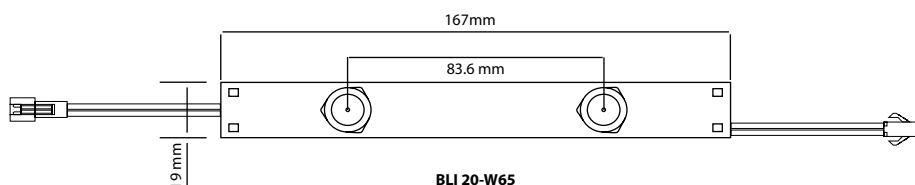
| Item no | Description |
|-------------|---|
| BLI-CON | BLI cable assembly, 1.5m, 12 connections, every 10cm. |
| BLI-FCON | BLI power flying leads with female connector |
| BLI-MCON | BLI power flying leads with male connector |
| BLI-JCT-300 | BLI junction cable male-female 300mm |



DIMENSIONS



| Light box depth (mm) | row distance (mm) |
|----------------------|-------------------|
| 30 - 60mm | 80mm |
| 60 - 80mm | 90mm |
| 80 - 100mm | 100mm |



POWER SUPPLY CAPACITY 24V SERIES

| Item | PP2430 | PP2460 | PP24100 | PP24150 | PP24200 |
|-------------------------------|--------|--------|---------|---------|---------|
| Power Output | 30W | 60W | 100W | 150W | 200W |
| BLI 20 modules / power supply | 30 | 60 | 68 | 104 | 138 |
| BLI 60 modules / power supply | 10 | 20 | 34 | 52 | 69 |
| BLI140 modules / power supply | 4 | 9 | 15 | 22 | 30 |

PACKAGING

| Item | Qty (pcs/bag) | Qty (bags / carton) | Total Qty (pcs / carton) | Total weight (kg) | Carton size (LxWxH) in mm |
|------------|---------------|---------------------|--------------------------|-------------------|---------------------------|
| BLI20-W65 | 10 | 20 | 200 | 4.2 | 358x256x244 |
| BLI60-W65 | 9 | 20 | 180 | 9.2 | 570x340x250 |
| BLI140-W65 | 10 | 30 | 300 | 30.0 | 1220x340x250 |
| BLI-CON | 30 | 1 | 30 | 5 | 400x300x150 |



LUCOLED BLE



- *IP67 for outdoor use*
- *Silicone potted PCB in aluminium profile*
- *5 years warranty. 2 years extended*
- *Lucolense prismatic flat beam technology*
- *IP67 JST connectors and cable system*
- *RVS mounting clips*
- *High efficacy*
- *Constant Current Technology*
- *Fast, plug-and-play, installation*
- *Fast on-site retrofit solution*

Lucoled BLE LED bars offer a high quality and efficient backlit solution for outdoor lightboxes down to 40 mm deep.

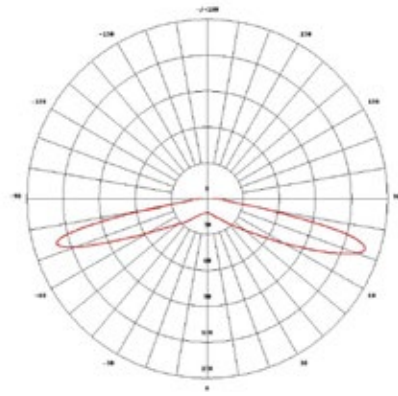
The BLE series comes in 2 lengths. The whole system is equipped with IP67 JST connectors and comes with a range of plug-and-play cable options for easy and fast installation. Especially in retrofit applications replacing traditional light sources.

SPECIFICATIONS

- 2835 SMD LED with long life and low attenuation
- Easy installation with JST connectors and cable system, plug and play.
- Installs in RVS mounting clips. (included)
- Warranty 5 years
- Beam angle: 170°
- UL, CE and RoHS compliant
- Narrow white binning
- Constant Current Technology
- Operating temperature -25~+60C



LUMINOUS INTENSITY DISTRIBUTION

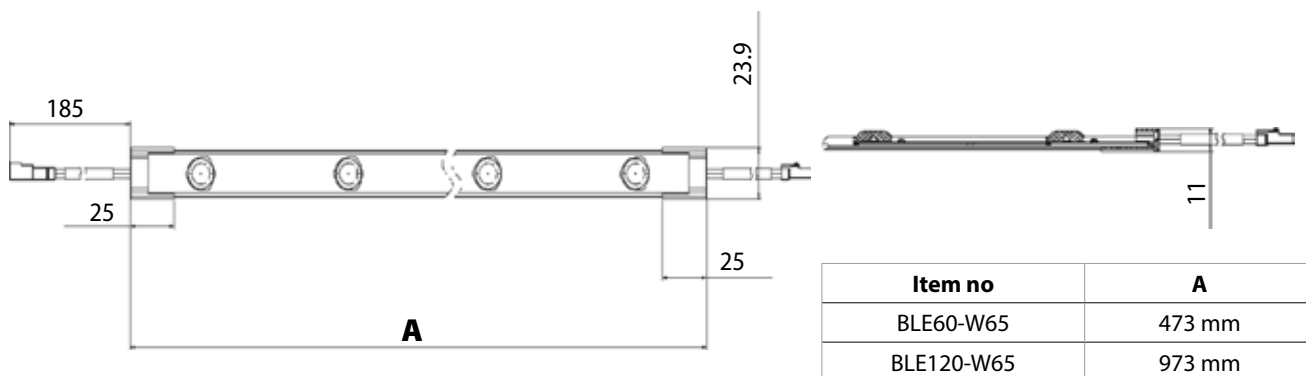


| Item no | LED colour | CT (K) | CRI | Power (W/mod) | Flux (lm/mod) | Efficacy (lm/W) | Voltage (DC) | Modules in series | Modules per carton |
|------------|------------|--------|-----|---------------|---------------|-----------------|--------------|-------------------|--------------------|
| BLE60-W65 | white | 6500 | >70 | 3.1 | 372 | 120 | 24 | max 8 | 80 |
| BLE120-W65 | white | 6500 | >70 | 6.5 | 756 | 120 | 24 | max 4 | 128 |

ACCESSORIES

| Item no | Description | Item no | Description | Item no | Description |
|-------------|---|-----------|---------------------|-------------|---------------------------|
| L-CAB-M-500 | Connection Cable Male | L-CAB-1.0 | 1 m extension cable | L-CON-BNK-M | Blanking Connector Male |
| L-CAB-F-500 | Connection Cable Female | L-CAB-3.0 | 3 m extension cable | L-CON-BNK-F | Blanking Connector Female |
| L-CON-Y-FFM | Y-Connector, 1 male and 2 female connectors | L-CAB-5.0 | 5 m extension cable | | |

DIMENSIONS



| Light box depth (mm) | row distance (mm) |
|----------------------|-------------------|
| 40 - 60mm | 80mm |
| 60 - 80mm | 90mm |
| 80 - 100mm | >100mm |

Results may vary depending on face material properties. The data above was obtained using 3mm thick opaque acrylic with a 54% light transmittance. Lucoled advises to paint the inside of the box/letters in a matt white colour for achieving an optimal result. Always test before production.

POWER SUPPLY CAPACITY 24V SERIES

| Item | PP2430 | PP2460 | PP24100 | PP24150 | PP24200 |
|-------------------------------|--------|--------|---------|---------|---------|
| Power Output | 30W | 60W | 100W | 150W | 200W |
| BLE 60 modules / power supply | 10 | 20 | 34 | 52 | 69 |
| BLE120 modules / power supply | 4 | 9 | 15 | 22 | 30 |

PACKAGING

| Item | Qty (pcs/bag) | Qty (bags / carton) | Total Qty (pcs / carton) | Total weight (kg) | Carton size (LxWxH) in mm |
|------------|---------------|---------------------|--------------------------|-------------------|---------------------------|
| BLE60-W65 | 16 | 8 | 128 | 15.8 | 570x264x280 |
| BLE120-W65 | 16 | 5 | 80 | 18.4 | 1070x264x216 |



LUCOLED DS80/OS80



- *5 years warranty*
- *Lucolense prismatic flat beam technology*
- *High efficacy*
- *Constant Current Technology*
- *Narrow white binning*
- *Easy installation*

Lucoled DS80 offers a high quality and efficient back lighting solution for double sided lightboxes and pylons.

Lucoled OS80 offers a high quality and efficient back lighting solution for single sided lightboxes and pylons.

The DS80 and OS80 are installed in an aluminium mounting profile that is mounted into the sign by easy to install mounting clips. The mounting profile can be cut to size and comes in 3 standard lengths.

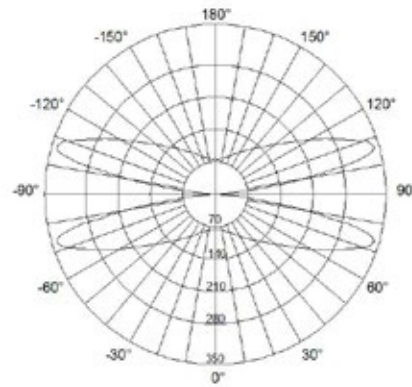
The DS80 and OS80 have an industry leading efficiency of 165 lumen per Watt. In a typical pylon they can be installed with 400 mm row and module spacing due to the use of flat beam prism lenses. This reduces the energy consumption to less than 22 Watt per square meter per side. Still offering almost 3.600 lumen per square meter per side.

SPECIFICATIONS

- Dimensions 155x38x11 mm
- Warranty 5 years
- Beam angle: 170°
- Can be cut between every unit
- UL, CE and RoHS compliant
- Narrow white binning
- Constant Current Technology
- Operating temperature -25~+60C
- Easy installation using aluminium profiles and clips



LUMINOUS INTENSITY DISTRIBUTION

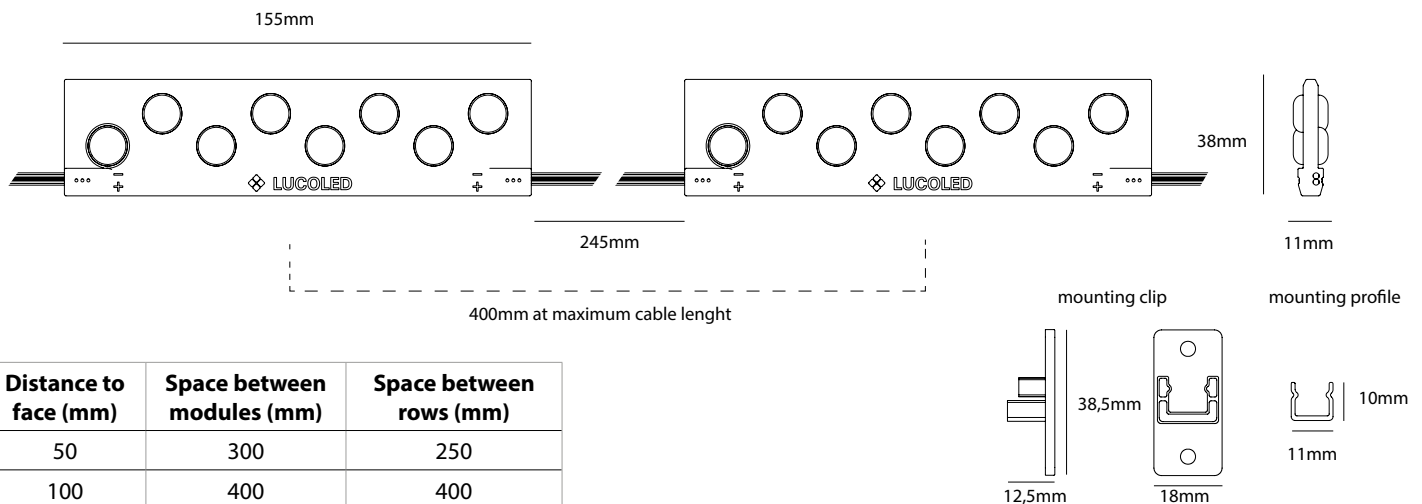


| Item no | LED colour | CT (K) | CRI | Power (W/mod) | Flux (lm/mod) | Efficacy (lm/W) | Voltage (DC) | Modules in series | Modules per carton |
|----------|------------|--------|-----|---------------|---------------|-----------------|--------------|-------------------|--------------------|
| DS80-W65 | white | 6500 | >70 | 4.8 | 792 | 165 | 24 | 20 | 400 |
| OS80-W65 | white | 6500 | >70 | 2.4 | 396 | 165 | 24 | 40 | 400 |

ACCESSORIES

| Item no | Description |
|-----------|------------------------------------|
| DS-MC | DS mounting clip, bag of 100 |
| DS-MP-100 | DS mounting profile, 1m, bag of 10 |
| DS-MP-200 | DS mounting profile, 2m, bag of 10 |
| DS-MP-300 | DS mounting profile, 3m, bag of 10 |

DIMENSIONS



| Distance to face (mm) | Space between modules (mm) | Space between rows (mm) |
|-----------------------|----------------------------|-------------------------|
| 50 | 300 | 250 |
| 100 | 400 | 400 |
| 150 | 350 | 450 |
| 200 | 300 | 450 |

POWER SUPPLY CAPACITY 24V SERIES

| Item | PP2460 | PP24100 | PP24150 | PP24200 |
|--|--------|---------|---------|---------|
| Power Output | 60W | 100W | 150W | 200W |
| DS80 modules / power supply (Max 20 per chain) | 12 | 18 | 28 | 36 |
| OS80 modules / power supply (Max 40 per chain) | 24 | 36 | 56 | 72 |

PACKAGING

| Item | Qty (pcs/bag) | Qty (bags / carton) | Total Qty (pcs / carton) | Total weight (kg) | Carton size (LxWxH) in mm |
|-----------|---------------|---------------------|--------------------------|-------------------|---------------------------|
| DS80/OS80 | 20 | 20 | 400 | 25.6/13.0 | 528x376x272 |



LUCOLED EL10



- *5 years warranty*
- *First 2 years extended warranty*
- *Lucolense narrow beam technology*
- *High efficacy*
- *Constant Current Technology*
- *Narrow white binning*

Lucoled Edge Lighting EL10 modules offer a high quality and efficient solution for single-sided signs with a depth of 80-150 mm and double-sided signs with a depth of 80-150 mm, max. 1000 mm wide.

Lucoled EL10 uses patented light reflection technology to evenly illuminate single and double-sided small light boxes and signs. The licensed technology is based on the face being illuminated by over 70% indirect, internally reflecting, light transmitted by narrow beam flare lenses. The modules are mounted on the sides of the box, directing a beam of light at the opposite side. The reflecting light evenly illuminates the face.

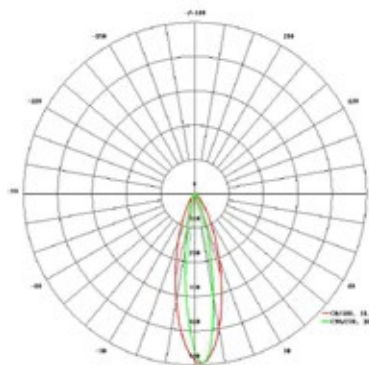
EL10 is ideal for round, oval or any other non-rectangular shaped sign as the individual modules can be positioned following the shape of the sides.

SPECIFICATIONS

- Dimensions 50x30x14mm
- Warranty 5 years (first 2 years extended)
- Beam angle: 19° * 32°
- Can be cut between every unit
- UL, CE and RoHS compliant
- Narrow white binning
- Constant Current Technology
- Operating temperature -25~+60C

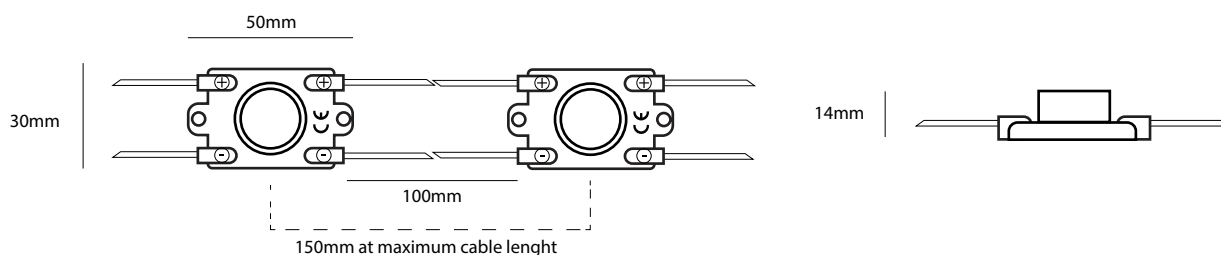


LUMINOUS INTENSITY DISTRIBUTION



| Item no | LED colour | CT (K) | CRI | Power (W/mod) | Flux (lm/mod) | Efficacy (lm/W) | Voltage (DC) | Modules per chain | Modules per carton |
|----------|------------|--------|-----|---------------|---------------|-----------------|--------------|-------------------|--------------------|
| EL10-W30 | white | 3000 | >70 | 1.6 | 160 | 100 | 12 | 25 | 600 |
| EL10-W65 | white | 6500 | >70 | 1.6 | 160 | 100 | 12 | 25 | 600 |

DIMENSIONS

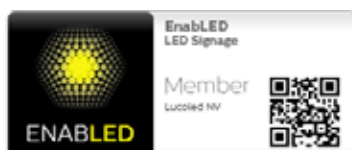


POWER SUPPLY CAPACITY 12V SERIES

| Item | PP1230 | PP1260 | PP12100 | PP12150 | PP12200 |
|-------------------------------------|--------|--------|---------|---------|---------|
| Power Output | 30W | 60W | 100W | 150W | 200W |
| EL10 modules / power supply | 16 | 33 | 56 | 84 | 112 |
| Maximum 25 modules per chain | | | | | |

PACKAGING

| Item | Qty (pcs/bag) | Qty (bag / carton) | Total Qty (pcs / carton) | Total weight (kg) | Carton size (LxWxH) in mm |
|------|---------------|--------------------|--------------------------|-------------------|---------------------------|
| EL10 | 50 | 12 | 600 | 10,5 | 528 x 376 x 272 |



This product is licensed under the Signify (formerly Philips) Enabled LED Signage program when bought as a kit including power supply. The final product in which this kit is used will be covered by this license and free from further royalties.



LUCOLED EL31



- *5 years warranty*
- *First 2 years extended warranty*
- *Lucolense narrow beam technology*
- *High efficacy*
- *Constant Current Technology*
- *Narrow white binning*

Lucoled Edge Lighting EL31 modules offer a high quality and efficient solution for single-sided lightboxes with a depth of 50-100 mm and double-sided lightboxes with a depth of 100-150 mm, max. 1000 mm wide.

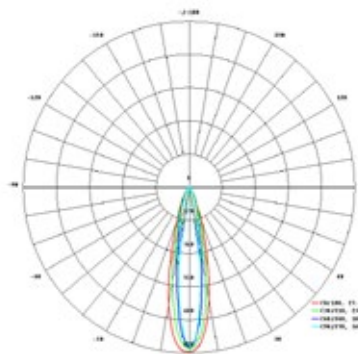
Lucoled EL31 uses patented light reflection technology to evenly illuminate single and double-sided medium size light boxes and signs. The licensed technology is based on the face being illuminated by over 70% indirect, internally reflecting, light transmitted by narrow beam flare lenses. The modules are mounted on the sides of the box, directing a beam of light at the opposite side. The reflecting light evenly illuminates the face.

EL31 is ideal for medium size rectangular shaped signs. The individual modules are normally positioned on opposite sides on the longest side of the sign.

SPECIFICATIONS

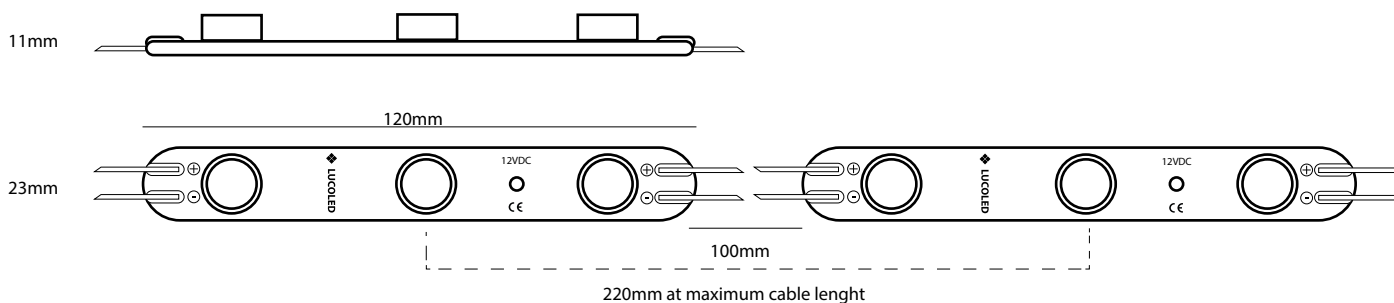
- Dimensions 120x23x11mm
- Warranty 5 years (first 2 years extended)
- Beam angle: 18° * 25°
- Can be cut between every unit
- UL, CE and RoHS compliant
- Narrow white binning
- Constant Current Technology
- Operating temperature -25~+60C

LUMINOUS INTENSITY DISTRIBUTION



| Item no | LED colour | CT (K) | CRI | Power (W/mod) | Flux (lm/mod) | Efficacy (lm/W) | Voltage (DC) | Modules per chain | Models per carton |
|----------|------------|--------|-----|---------------|---------------|-----------------|--------------|-------------------|-------------------|
| EL31-W30 | white | 3000 | >70 | 2.88 | 327 | 114 | 12 | 20 | 480 |
| EL31-W40 | white | 4000 | >70 | 2.88 | 327 | 114 | 12 | 20 | 480 |
| EL31-W65 | white | 6500 | >70 | 2.88 | 327 | 114 | 12 | 20 | 480 |

DIMENSIONS

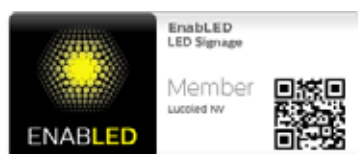


POWER SUPPLY CAPACITY 12V SERIES

| Item | PP1230 | PP1260 | PP12100 | PP12150 | PP12200 |
|-------------------------------------|--------|--------|---------|---------|---------|
| Power Output | 30W | 60W | 100W | 150W | 200W |
| EL31 modules / power supply | 9 | 18 | 31 | 46 | 62 |
| Maximum 20 modules per chain | | | | | |

PACKAGING

| Item | Qty (pcs/bag) | Qty (bag / carton) | Total Qty (pcs / carton) | Total weight (kg) | Carton size (LxWxH) in mm |
|------|---------------|--------------------|--------------------------|-------------------|---------------------------|
| EL31 | 60 | 8 | 480 | 14,7 | 528 x 376 x 272 |



This product is licensed under the Signify (formerly Philips) EnabLED Signage program when bought as a kit including power supply. The final product in which this kit is used will be covered by this license and free from further royalties.



LUCOLED EL37



- *5 years warranty*
- *Lucolense narrow beam technology*
- *High efficacy*
- *Constant Current Technology*
- *Narrow white binning*
- *For illuminating 3m wide lightboxes*

Lucoled Edge Lighting EL37 modules offer a high quality and efficient solution for single-sided lightboxes with a depth of 100-120 mm and double-sided lightboxes with a depth of 100 -180 mm, max. 3000 mm wide.

Lucoled EL37 has a unique jigsaw connection system allowing the modules to be connected in such a way that a uniform LED spacing is achieved.

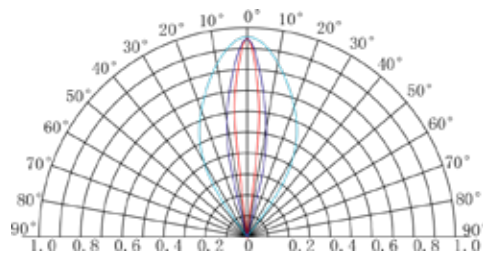
Lucoled EL37 uses patented light reflection technology to evenly illuminate single and double-sided large format light boxes. The licensed technology is based on the face being illuminated by over 70% indirect, internally reflecting, light transmitted by narrow beam flare lenses. The modules are mounted on the sides of the box, directing a beam of light at the opposite side.

EL37 is ideal for large size rectangular shaped signs. The individual modules are normally positioned on opposite sides on the longest side of the sign.

SPECIFICATIONS

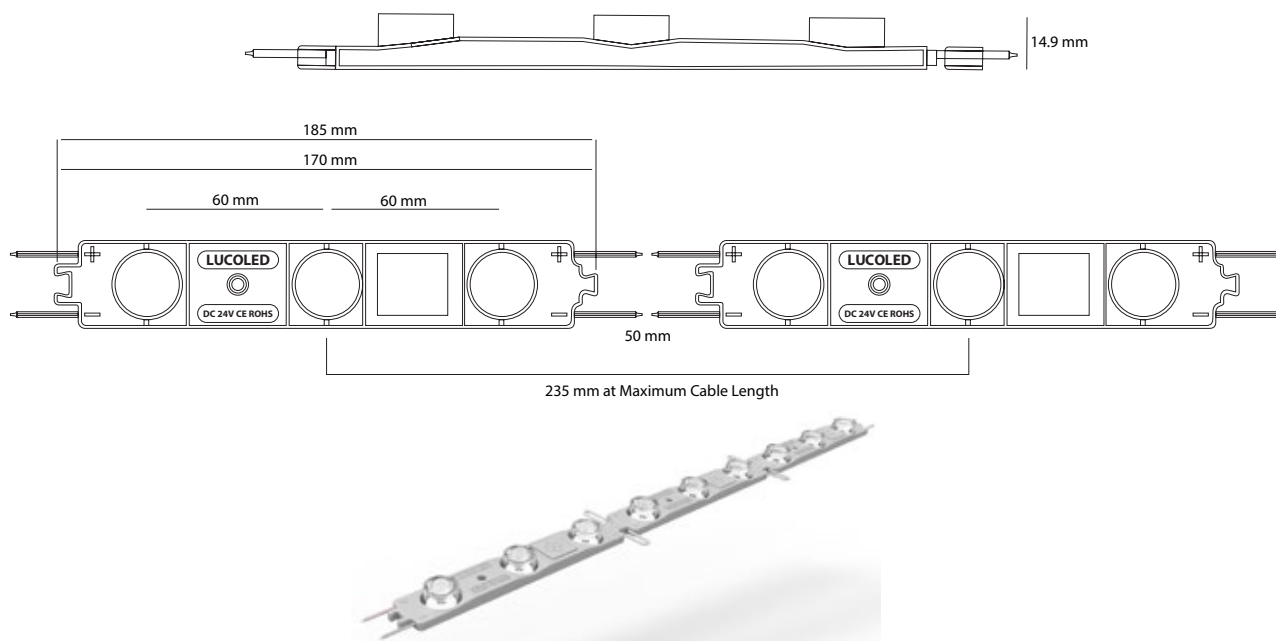
- Dimensions 185x30x15mm
- Warranty 5 years
- Beam angle: 10° * 40°
- Can be cut between every unit
- UL, CE and RoHS compliant
- Narrow white binning
- Constant Current Technology
- Operating temperature -25~+60C

LUMINOUS INTENSITY DISTRIBUTION



| Item no | LED colour | CT (K) | CRI | Power (W/mod) | Flux (lm/mod) | Efficacy (lm/W) | Voltage (DC) | Modules per chain | Modules per carton |
|----------|------------|--------|-----|---------------|---------------|-----------------|--------------|-------------------|--------------------|
| EL37-W65 | white | 6500 | >75 | 5.9 | 740 | 125 | 24 | 20 | 360 |
| EL37-W40 | white | 4000 | >75 | 5.9 | 740 | 125 | 24 | 20 | 360 |

DIMENSIONS

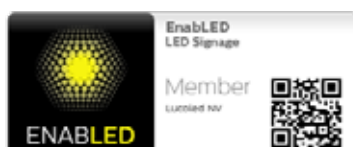


POWER SUPPLY CAPACITY 24V SERIES

| Item | PP2430 | PP2460 | PP24100 | PP24150 | PP24200 |
|-------------------------------------|--------|--------|---------|---------|---------|
| Power Output | 30W | 60W | 100W | 150W | 200W |
| EL37 modules / power supply | 4 | 9 | 15 | 22 | 32 |
| Maximum 20 modules per chain | | | | | |

PACKAGING

| Item | Qty (pcs/bag) | Qty (bags / carton) | Total Qty (pcs / carton) | Total weight (kg) | Carton size (LxWxH) in mm |
|------|---------------|---------------------|--------------------------|-------------------|---------------------------|
| EL37 | 20 | 18 | 360 | 26.5 | 528x376x272 |



This product is licensed under the Signify (formerly Philips) EnabLED Signage program when bought as a kit including power supply. The final product in which this kit is used will be covered by this license and free from further royalties.



LUCOLED POWER SUPPLIES AND CONTROLS

- *Up to 7 years warranty*
- *Wide Voltage Input*
- *OVP, OCP, SCP, OTP protection function*
- *IP67 / IP68 Rating*
- *Class 2 (PP, PPS, PPXS, PPDS)*
- *Class II (PPM, PPS1260CLII)*
- *Dim option (PPDS)*

Lucoled offers a full range of Premium Power Supplies. The various power options help you to match the installed power capacity to the total power used by your LED installation.

Lucoled Premium Power Supplies are designed and tested for safety, long life and reliability.

All power supplies are designed for outdoor use and carry all required international agency markings.

SPECIFICATIONS 12V POWER SUPPLIES

| | |
|-----------------------------------|---|
| Output Voltage | 12V |
| Working temperature range | -40°C~+65°C |
| Input Voltage Range | 100VAC~240VAC |
| Input Frquency Range | 50~60Hz |
| Protective Characteristics | Over-Current, Short-Circuit, Over Voltage and Over-Temperature protection |
| IP Rating | IP68 |
| MTBF | ≥70000hrs. MIL-HDBK-217F(25°C) |
| Warranty | 7 Years, first 2 years extended. |

| Code | Output Current | Output Power | Input Current | Efficiency | Size (l x w x h) | Weight |
|---------|----------------|--------------|-------------------------|------------|------------------|--------|
| PP1260 | 5A | 60W | 0.65A/115V - 0.35A/230V | ≥86% | 184x44x34mm | 0,52kg |
| PP12100 | 8.33A | 100W | 1.1A/115V - 0.55A/230V | ≥90% | 204x67x35mm | 0,88kg |
| PP12150 | 12.5A | 150W | 1.6A/115V - 0.8A/230V | ≥92% | 234x68x35mm | 1kg |
| PP12200 | 16A | 200W | 2.8A max | ≥88% | 295x60x36mm | 1,1kg |

SPECIFICATIONS 24V POWER SUPPLIES

| | |
|-----------------------------------|---|
| Output Voltage | 24V |
| Working temperature range | -40°C~+65°C |
| Input Voltage Range | 100VAC~240VAC |
| Input Frquency Range | 50~60Hz |
| Protective Characteristics | Over-Current, Short-Circuit, Over Voltage and Over-Temperature protection |
| IP Rating | IP68 |
| MTBF | ≥70000hrs. MIL-HDBK-217F(25°C) |
| Warranty | 7 Years, first 2 years extended. |

| Code | Output Current | Output Power | Input Current | Efficiency | Size (l x w x h) | Weight |
|---------|----------------|--------------|-------------------------|------------|------------------|--------|
| PP2430 | 1.25A | 30W | 0.35A/115V - 0.19A/230V | ≥84% | 187x41x29mm | 0,5kg |
| PP2460 | 2.5A | 60W | 0.65A/115V - 0.35A/230V | ≥87% | 184x44x34mm | 0,52kg |
| PP24100 | 4.16A | 100W | 1.1A/115V - 0.55A/230V | ≥92% | 204x67x35mm | 0,88kg |
| PP24150 | 6.25A | 150W | 1.6A/115V - 0.8A/230V | ≥93% | 234x68x35mm | 1kg |
| PP24200 | 8.34A | 200W | 2.8A max | ≥90% | 250x70x36mm | 1kg |



IP68

SPECIFICATIONS 12V SLIM CLASS II POWER SUPPLIES

| | |
|-----------------------------------|--|
| Output Voltage | 12V |
| Working temperature range | -25°C~+45°C |
| Input Voltage Range | 200VAC~240VAC |
| Input Frquency Range | 50~60Hz |
| Protective Characteristics | Over-Current, Short-Circuit, Over Voltage protection |
| IP Rating | IP67 |
| MTBF | ≥50000hrs. MIL-HDBK-217F(25°C) |
| Warranty | 7 Years |
| Isolation | Double-Isolated CLASS II |

| Code | Output Current | Output Power | Input Current | Efficiency | Size (l x w x h) | Weight |
|-------------|----------------|--------------|------------------|------------|------------------|--------|
| PPS1260CLII | 5A | 60W | 0.38A/200-240VAC | ≥87% | 295x35x20mm | 0,42kg |



IP67



Important:

- Lucoled recommends loading power supplies up to 90% of their maximum listed capacity.
- Select a power supply for your installation loaded at more than 50% of its maximum load to meet Power Factor regulations.
- Install with adequate ventilation and not in direct sunlight.
- Power supplies to be installed by trained and certified staff.

SPECIFICATIONS 12V/24V MINI, DOUBLE-ISOLATED CLASS II, POWER SUPPLIES

| | |
|-----------------------------------|--|
| Output Voltage | 12V/24V |
| Working temperature range | -40°C~+65°C |
| Input Voltage Range | 120VAC~270VAC |
| Input Frequency Range | 50~60Hz |
| Protective Characteristics | Over-Current, Short-Circuit, Over Voltage protection |
| IP Rating | IP67 |
| MTBF | ≥70000hrs. MIL-HDBK-217F (25°C) |
| Warranty | 5 Years, first 2 years extended. |

| Code | Output Current | Output Power | Input Current | Efficiency | Size (l x w x h) | Weight |
|----------|----------------|--------------|---------------------------------|------------|------------------|--------|
| PPM1260 | 5,0 A | 60W | 0.65 A/120 VAC - 0.35 A/270 VAC | ≥90% | 157x23x20mm | 0,25kg |
| PPM12100 | 8.0 A | 100W | 1.1 A/120 VAC - 0.55 A/270 VAC | ≥92% | 157x29x20mm | 0,3kg |
| PPM2460 | 2.5 A | 60W | 0.65 A/120 VAC - 0.35 A/270 VAC | ≥90% | 157x23x20mm | 0,25kg |
| PPM24100 | 4.0 A | 100W | 1.1 A/120 VAC - 0.55 A/270 VAC | ≥92% | 157x29x20mm | 0,3kg |



IP67



SPECIFICATIONS 24V SLIM POWER SUPPLIES

| | |
|-----------------------------------|--|
| Output Voltage | 24V |
| Working temperature range | -25°C~+45°C |
| Input Voltage Range | 200VAC~240VAC |
| Input Frequency Range | 50~60Hz |
| Protective Characteristics | Over-Current, Short-Circuit, Over Voltage protection |
| IP Rating | IP67 |
| MTBF | ≥50000hrs. MIL-HDBK-217F(25°C) |
| Warranty | 7 Years, first 2 years extended. |

| Code | Output Current | Output Power | Input Current | Efficiency | Size (l x w x h) | Weight |
|---------|----------------|--------------|------------------|------------|------------------|--------|
| PPS2460 | 2.5A | 60W | 0.38A/200-240VAC | ≥87% | 295x35x20mm | 0,42kg |

SPECIFICATIONS SLIM SHORT POWER SUPPLIES

| | |
|-----------------------------------|--|
| Output Voltage | 12V |
| Working temperature range | -25°C~+45°C |
| Input Voltage Range | 200VAC~240VAC |
| Input Frequency Range | 50~60Hz |
| Protective Characteristics | Over-Current, Short-Circuit, Over Voltage protection |
| IP Rating | IP67 |
| MTBF | ≥50000hrs. MIL-HDBK-217F(25°C) |
| Warranty | 7 Years, first 2 years extended. |

| Code | Output Voltage | Output Current | Output Power | Input Current | Efficiency | Size (l x w x h) | Weight |
|-----------|----------------|----------------|--------------|------------------|------------|------------------|--------|
| PPXS1230 | 12 V | 2.5A | 30W | 0.22A/200-240VAC | ≥85% | 183x35x20mm | 0,25kg |
| PPXS1260 | 12 V | 5A | 60W | 0.38A/200-240VAC | ≥87% | 183x35x20mm | 0,25kg |
| PPXS12100 | 12 V | 8.3A | 100W | 0.7A/200-240VAC | ≥90% | 209x35x20mm | 0,32kg |
| PPXS12150 | 12 V | 12.5A | 150W | 1.6A/200-240VAC | ≥90% | 256x35x20mm | 0,39kg |
| PPXS24100 | 24 V | 4.2A | 100W | 0.7A/200-240VAC | ≥90% | 209x35x20mm | 0,32kg |



IP68



Important:

- Lucoled recommends loading power supplies up to 90% of their maximum listed capacity.
- Select a power supply for your installation loaded at more than 50% of its maximum load to meet Power Factor regulations.
- Install with adequate ventilation and not in direct sunlight.
- Power supplies to be installed by trained and certified staff.

SPECIFICATIONS 12V SLIM DIMMABLE POWER SUPPLIES

| | |
|-----------------------------------|--|
| Output Voltage | 12V/24V-25°C~+45°C |
| Working temperature range | 200VAC~240VAC |
| Input Voltage Range | 50~60Hz |
| Input Frquency Range | Over-Current, Short-Circuit, Over Voltage protection |
| Protective Characteristics | IP67 |
| IP Rating | ≥50000hrs. MIL-HDBK-217F(25°C) |
| MTBF | 7 Years |
| Warranty | 0=10 V, PWM, Resistance |
| Dim Input (0-100%) | |

| Code | Output Current | Output Power | Input Current | Efficiency | Size (l x w x h) | Weight |
|-----------|----------------|--------------|-----------------|------------|------------------|--------|
| PPDS12100 | 4.16A | 100W | 0.7A/200-240VAC | ≥90% | 258x35x20mm | 0,40kg |
| PPDS24100 | 2.08A | 100W | 0.7A/200-240VAC | ≥90% | 258x35x20mm | 0,40kg |

SPECIFICATIONS MANUAL EXTERNAL DIMMING OPTION

| | |
|----------------------------------|-----------|
| Input/Output Voltage | 12V – 24V |
| Working temperature range | 0°C~+45°C |
| Output Current Max Range | 8 A |
| IP Rating | IP20 |
| Warranty | 3 Years |
| Diming Method (0-100%) | PWM |

| Code | Output Current | Output Power 12 V | Output Power 24 V |
|--------|----------------|-------------------|-------------------|
| DIM-PS | 8 A | 96 W | 192 W |



SPECIFICATIONS RF RGB(W) & DIM CONTROL OPTIONS

| | |
|----------------------------------|-------------|
| Input/Output Voltage | 12V – 24V |
| Working temperature range | -30°C~+55°C |
| IP Rating | IP20 |
| Warranty | 5 Years |
| Diming method (0-100%) | PWM |

| Code | Output | Output Current | Output Power 12 V | Output Power 24 V |
|----------------|--------|----------------|-------------------|-------------------|
| LTECH-M3/M3-3A | RGB | 3x3 A | 108 W | 216 W |
| LTECH-M6/M3-3A | RGB | 3x3 A | 108 W | 216 W |
| LTECH-M4/M4-5A | RGBW | 4x5 A | 144 W | 288 W |
| LTECH-M8/M4-5A | RGBW | 4x5 A | 144 W | 288 W |
| LTECH-M1/M3-3A | MONO | 3x3 A | 108 W | 216 W |



SPECIFICATIONS DMX RGBW & DIM CONTROL OPTIONS

| | |
|----------------------------------|-------------|
| Input/Output Voltage | 12V – 24V |
| Working temperature range | -30°C~+55°C |
| IP Rating | IP20 |
| Warranty | 5 Years |
| Diming method (0-100%) | PWM |

| Code | Output | | Input | Output Current | OutputPower 12 V | Output Power 24 V |
|----------------------|--------|---------------------|----------------|----------------|------------------|-------------------|
| LTECH-LT-820-5A | RGBW | Controller | DMX | 4x5 A | 240 W | 480 W |
| LTECH-LT-851-6A | RGBW | Controller | DMX | 3x6 A | 216 W | 432 W |
| LTECH-LT-811-12A | MONO | Controller | DMX | 1x12A | 144 W | 288 W |
| LTECH-EX1S | DMX | Touch Panel | Manual | | | |
| LTECH-EX4S | DMX | Touch Panel | Manual | | | |
| LTECH-UX8 | DMX | Touch Panel 4 Zones | Manual/WIFI/RF | | | |
| LTECH-LM-150-12-G1M2 | 12 V | Power Supply | DMX | 12.5 A | 150 W | - |
| LTECH-LM-150-24-G1M2 | 24 V | Power Supply | DMX | 6.25 A | - | 150 W |
| LC-DMX-4CH-WP | RGBW | IP67 Controller | DMX | 4x5 A | 240W | 480W |
| LC-DMX-4CH | RGBW | Controller | DMX | 4x8 A | 384W | 768W |



SPECIFICATIONS WIFI RGBW CONTROL OPTIONS

| | |
|----------------------------------|-------------|
| Input/Output Voltage | 12V – 24V |
| Working temperature range | -30°C~+55°C |
| IP Rating | IP20 |
| Warranty | 5 Years |
| Diming method (0-100%) | PWM |

| Code | Output | | Input | Output Current | OutputPower 12 V | Output Power 24 V |
|----------------|--------|-----------------|---------------------|----------------|------------------|-------------------|
| LTECH-WIFI-101 | DMX | Controller | WIFI (APP) | | | |
| LTECH-WIFI-104 | RGBW | Controller | RF/WIFI | 4x4 A | 192 W | 384 W |
| LTECH-WIFI-106 | RGBW | Controller | RF/WIFI | 4x4 A | 192 W | 384 W |
| LTECH-F4-5A | RGBW | Receiver | RF (WIFI-106/F1/F4) | 4x5 A | 240 W | 480 W |
| LTECH-R4-5A | RGBW | Receiver | RF (WIFI-104) | 4x5 A | 240 W | 480 W |
| LTECH-EBOX-DMX | DMX | Bridge | RF (WIFI-106) | | | |
| LTECH-V3 | RF | Remote | | | | |
| LTECH-F1 DIM | RF | Remote | | | | |
| LTECH-F4 RGBW | RF | Remote | | | | |
| LTECH-Q4 RGBW | RF | Remote | | | | |
| LC-RF-4CH-WP | RGBW | IP67 Controller | RF | 4x5 A | 240 W | 480 W |
| LC-RF-REMOTE | RF | Remote | | | | |



SPECIFICATIONS 4 IN 1 CONTROL OPTIONS

| | |
|----------------------------------|-------------|
| Input/Output Voltage | 12V – 24V |
| Working temperature range | -30°C~+55°C |
| IP Rating | IP20 |
| Warranty | 5 Years |
| Diming method (0-100%) | PWM |

| Code | Output | | Input | Output Current | OutputPower 12 V | Output Power 24 V | Output Power 48 V |
|-------------|--------|-------------------|-----------------------------------|----------------|------------------|-------------------|-------------------|
| LC-DIM-4IN1 | MONO | 4 in 1 Controller | 0-10V / DALI-2 / Push / Phase Cut | 2x10A (20A) | 240 W | 480 W | 960 W |



SPECIFICATIONS 1-10V CONTROL OPTIONS

| | |
|----------------------------------|-------------|
| Input/Output Voltage | 12V – 24V |
| Working temperature range | -30°C~+55°C |
| IP Rating | IP20 |
| Warranty | 5 Years |
| Diming method (0-100%) | PWM |

| Code | Output | | Output Current | Output Power 12 V | Output Power 24 V |
|----------------------|--------|--------------|----------------|-------------------|-------------------|
| LTECH-E610 | 1-10 V | Knob Panel | - | - | - |
| LTECH-LT-701-6A | MONO | Dimmer | 1x6 A | 72 W | 144 W |
| LTECH-LT-701-12A | MONO | Dimmer | 1x12A | 144 W | 288 W |
| LTECH-LM-75-12-G1A2 | 12 V | Power Supply | 6.25 A | 75 W | - |
| LTECH-LM-150-12-G1A2 | 12 V | Power Supply | 12.5 A | 150 | - |



SPECIFICATIONS DALI CONTROL OPTIONS

| | |
|----------------------------------|-------------|
| Input/Output Voltage | 12V – 24V |
| Working temperature range | -30°C~+55°C |
| IP Rating | IP20 |
| Warranty | 5 Years |
| Diming method (0-100%) | PWM |

| Code | Output | | Input | Output Current | OutputPower 12 V | Output Power 24 V |
|----------------------|--------|---------------------|-------|----------------|------------------|-------------------|
| LTECH-LT-401-12A | MONO | Controller | DALI | 1x12A | 144 W | 288 W |
| LTECH-LT-411-12A | MONO | Controller DIN rail | DALI | 1x12A | 144 W | 288 W |
| LTECH-LM-150-24-G1D2 | 24 V | Power Supply | DALI | 12.5 A | - | 150 W |
| LTECH-LM-75-12-G1D2 | 12 V | Power Supply | DALI | 6.25 A | 75 W | - |
| LTECH-LM-75-24-G1D2 | 24 V | Power Supply | DALi | 6.25 A | - | 75 W |



EPREL ENERGY LABELLING

| Article-Nr. | CCT (K) | CRI | Power (W/Mod) | Flux (lm/Mod) | Efficacy (lm/W) | Energy efficiency class |
|-------------|---------|-----|---------------|---------------|-----------------|-------------------------|
| XR20-W70 | 7000 | >74 | 0.35 | 65 | 186 | B |
| XR24-W30 | 3000 | >74 | 0.72 | 133 | 184 | B |
| XR24-W40 | 4000 | >74 | 0.73 | 144 | 197 | B |
| XR24-W50 | 5000 | >74 | 0.71 | 137 | 193 | B |
| XR24-W70 | 7000 | >74 | 0.67 | 126 | 188 | B |
| XR28-W70 | 7000 | >74 | 1.02 | 187 | 183 | C |
| PR20-W40 | 4000 | >70 | 0.8 | 120 | 150 | D |
| PR20-W50 | 5000 | >70 | 0.8 | 120 | 150 | D |
| PV10-W30 | 3000 | >75 | 0.30 | 45 | 152 | EXEMPT (< 60 lm) |
| PV10-W40 | 4000 | >75 | 0.30 | 49 | 161 | EXEMPT (< 60 lm) |
| PV10-W50 | 5000 | >75 | 0.30 | 49 | 160 | EXEMPT (< 60 lm) |
| PV10-W65 | 6500 | >75 | 0.29 | 48 | 165 | EXEMPT (< 60 lm) |
| PV10-W71 | 7100 | >75 | 0.29 | 46 | 158 | EXEMPT (< 60 lm) |
| PV20-W30 | 3000 | >75 | 0.71 | 99 | 139 | D |
| PV20-W40 | 4000 | >75 | 0.72 | 114 | 158 | D |
| PV20-W50 | 5000 | >75 | 0.72 | 113 | 157 | D |
| PV20-W65 | 6500 | >75 | 0.70 | 113 | 161 | C |
| PV20-W71 | 7100 | >75 | 0.74 | 110 | 148 | D |
| PV24-W65 | 6500 | >75 | 0.71 | 110 | 155 | D |
| PV30-W65 | 6500 | >75 | 1.0 | 160 | 160 | C |
| PV44-W65 | 6500 | >75 | 1.46 | 224 | 154 | D |
| PV44-W50 | 5000 | >75 | 1.46 | 224 | 154 | D |
| VR10-W65 | 6500 | >75 | 0.36 | 44 | 122 | EXEMPT (< 60 lm) |
| VR20-W65 | 6500 | >75 | 0.72 | 93 | 129 | D |
| VR30-W65 | 6500 | >75 | 1.0 | 128 | 128 | E |
| VR40-W65 | 6500 | >75 | 1.5 | 188 | 125 | D |
| BL31-W30 | 3000 | >70 | 3.6 | 350 | 97 | E |
| BL31-W65 | 6500 | >70 | 3.6 | 350 | 97 | E |
| BL71-W65 | 6500 | >70 | 7.0 | 850 | 121 | D |
| BLI20-W65 | 6500 | >70 | 0.86 | 101 | 118 | E |
| BLI20-W40 | 4000 | >70 | 0.86 | 101 | 118 | D |
| BLI20-W30 | 3000 | >70 | 0.86 | 101 | 118 | D |
| BLI60-W65 | 6500 | >70 | 2.6 | 312 | 120 | E |
| BLI60-W40 | 4000 | >70 | 2.6 | 312 | 120 | D |
| BLI60-W30 | 3000 | >70 | 2.6 | 312 | 120 | D |
| BLI140-W65 | 6500 | >70 | 6 | 720 | 120 | C |
| BLE60-W65 | 6500 | >70 | 3.1 | 372 | 120 | E |
| BLE120-W65 | 6500 | >70 | 6.5 | 756 | 120 | F |
| DS80-W65 | 6500 | >70 | 4.8 | 792 | 165 | D |
| OS80-W65 | 6500 | >70 | 2.4 | 396 | 165 | D |
| EL10-W30 | 3000 | >70 | 1.6 | 160 | 100 | F |
| EL10-W65 | 6500 | >70 | 1.6 | 160 | 100 | F |
| EL31-W30 | 3000 | >70 | 2.88 | 327 | 114 | E |
| EL31-W40 | 4000 | >70 | 2.88 | 327 | 114 | E |
| EL31-W65 | 6500 | >70 | 2.88 | 327 | 114 | E |
| EL37-W65 | 6500 | >75 | 5.9 | 740 | 125 | E |
| EL37-W40 | 4000 | >75 | 5.9 | 740 | 125 | E |

All Lucoled products are listed in the EPREL database: <https://eprel.ec.europa.eu/screen/product/lightsources>

Get in touch



+31 (0) 315 711729



+44 (0) 330 8088 054

Email Us

✉ sales@lumosigns.com

Visit our website

🌐 lumosigns.com