

5 YEARS WARRANTY



### Features

- Thickness is just 23mm
- Brightness up to 11000lx
- Single sided
- Low power consumption
- Wide application possibilities, from interior design to signage

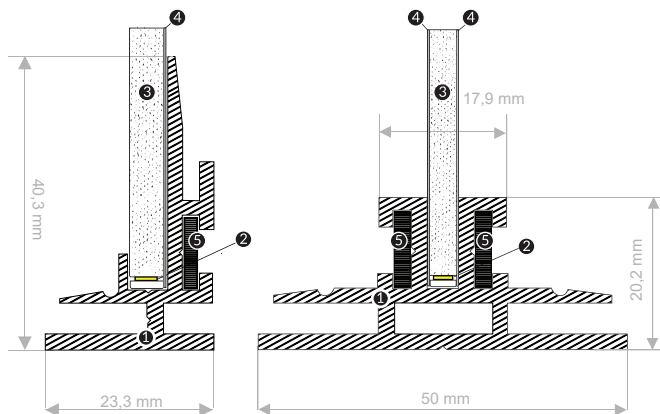
### Applications

- POS Display lighting
- Signage lighting
- Advertising design lighting
- Trade fairs lighting
- Retail lighting
- Interior design lighting
- Hotels lighting
- Wayfinding lighting

### Technical specifications

Product name	Lumo Sheet T
Main material	Clear acrylic (PMMA)
Thickness	23 mm
Luminous efficiency	up to 160lm/W
Colour temperature	3000K 4000K 5000K 6500 K
IP rating	IP 20
Maximum size	2450x1250 mm
Lifetime	> 50,000 hours
Operating temperature	-30°C ~ + 40°C
Power supply	AC / DC 12V / 24V / CC Adaptor
Working voltage	DC 12V / DC 24V / DC CC
Input voltage	AC 100 ~ 240V 50/60Hz

### Technical drawing



### Single

### Double

1. Frame basic
2. LED bar
3. Acrylic sheet
4. Reflector
5. Brackets

1. Frame basic
2. LED bar
3. Acrylic sheet
4. Diffuser
5. Brackets



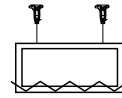
### Mounting information

Size (Y), mm	→	←	Center	→	←
200-700	80 mm	80 mm			
700-1000	150 mm	150 mm			
1000-1500	150 mm	150 mm	•		
1500-2000	150 mm	150 mm		700 mm	700 mm
2000-2450	150 mm	150 mm	•	700 mm	700 mm

### Package includes



1 x Power supply



Cable installation kit (Optional accessories)

### Other picture

